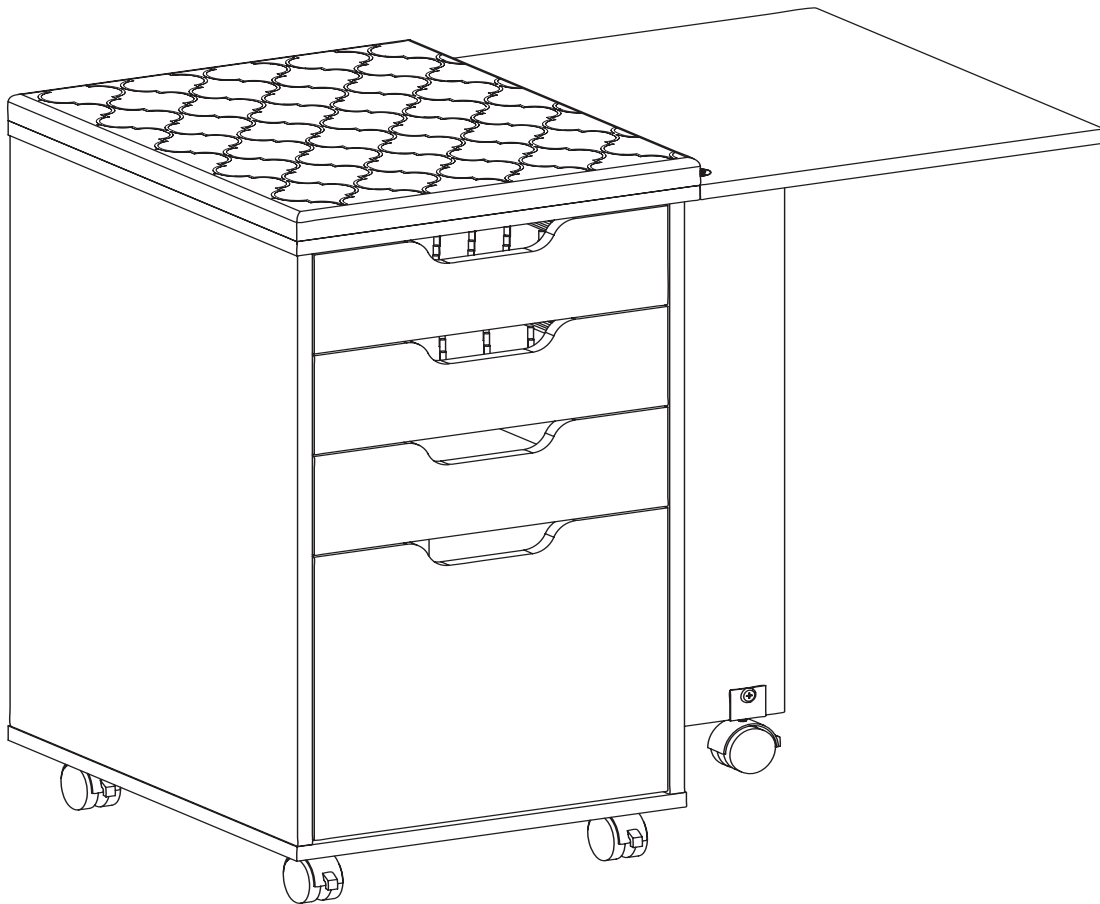




# ASSEMBLY INSTRUCTIONS

## Kiwi

ITEM NO.: K7105 Teak  
K7111 Ash White



# General Assembly Guidelines

1. Read the instructions carefully before beginning the assembly process to ensure proper assembly of this product. Please open and inspect the contents of box(es) to see that all parts and hardware are included.

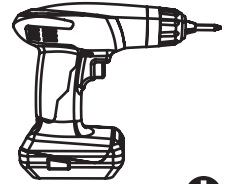
## 2. Tools Required



Phillips Screwdriver ⊕

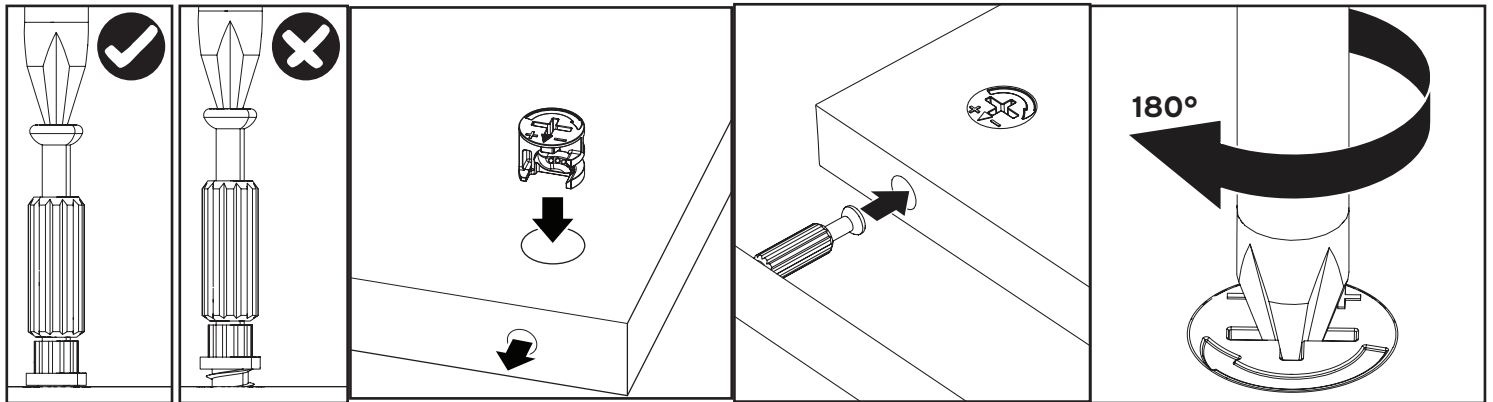


Hammer



Electric Screwdriver ⊕

## 3. Understanding How the Cam Fastener Works



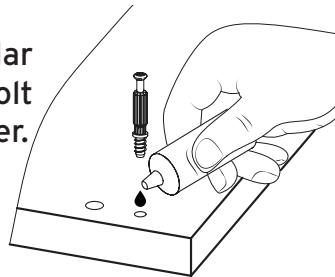
Screw cam bolts flush as illustrated.

Press cam into hole until flush with surface. The arrow direction must be in the direction of the hole.

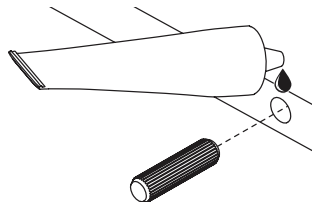
Insert bolt through pre-drilled hole in edge of panel.

Turn clockwise to lock cam with bolt.

**Tip:** place a small bit of WD-40 or similar lubricant into the pre-installed cam bolt holes to help the cam bolts screw in better.



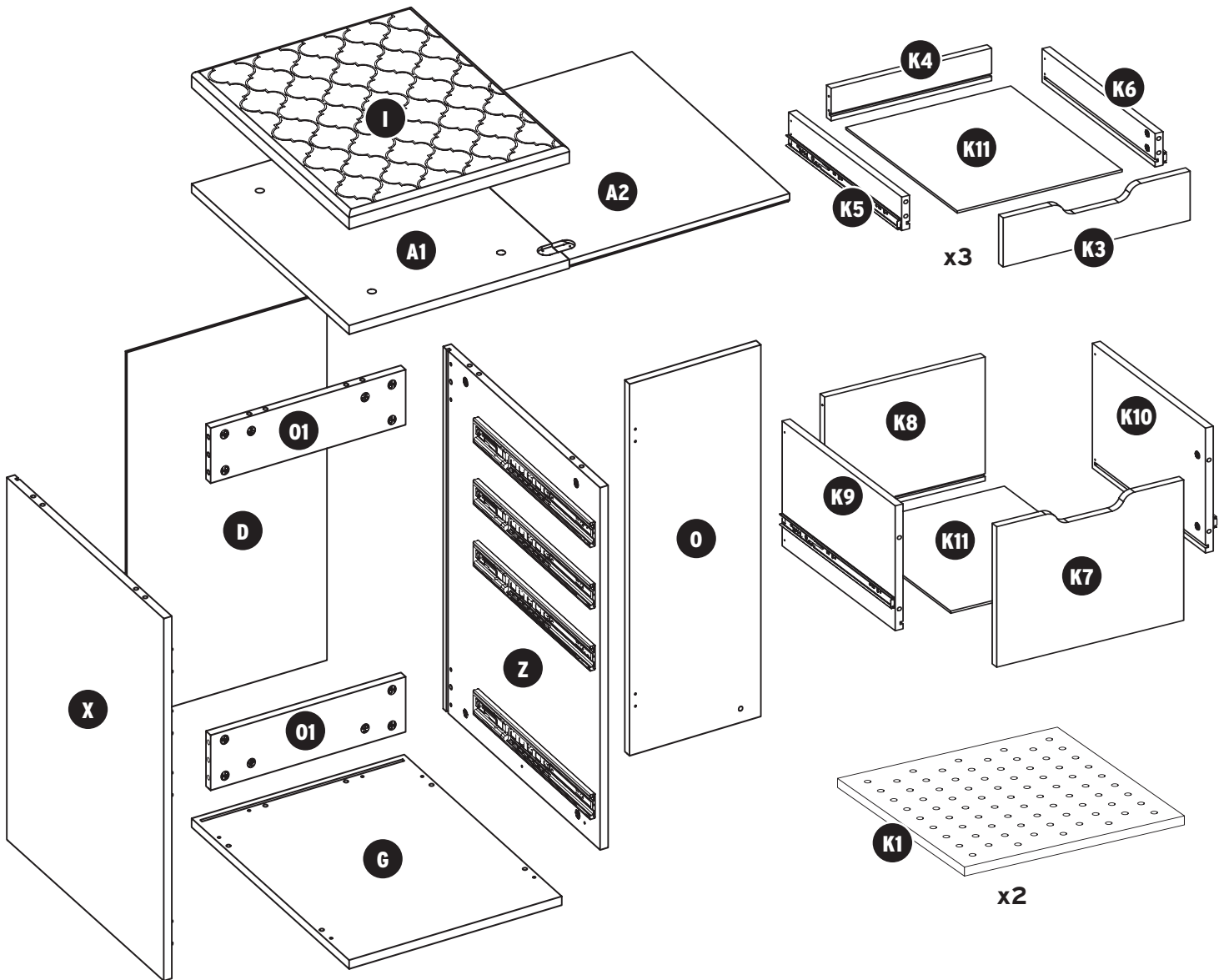
4. **Glue** provided is to secure wood dowels in place and is optional. If glue is used during assembly, locate the appropriate hole for the dowel, place a small amount of glue in the hole and insert the dowel. Wipe away excess glue immediately. It is not necessary to glue the other end of the dowel when attaching to other parts.



**Use and Care** Your cabinet normally requires a minimum amount of maintenance; however, the following points are worth noting:

**Cleaning** - To remove marks and enhance the surface, wipe with a gentle all-purpose cleanser. **DO NOT** use ammonia-based, harsh chemicals or abrasive cleaning agents. Wipe dry immediately.

# Parts List: Panels

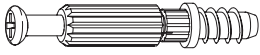


ITEM	DESCRIPTION	QTY	PACK.	ITEM	DESCRIPTION	QTY	PACK.
	Hardware Pack	1	1 of 2	<b>D</b>	Back Panel	1	2 of 2
<b>A1/A2</b>	Top	1	1 of 2	<b>X</b>	Left Side Panel	1	2 of 2
<b>G</b>	Bottom Panel	1	1 of 2	<b>Z</b>	Right Side Panel	1	2 of 2
<b>K5</b>	Left Drawer Side	3	1 of 2	<b>O1</b>	Back Support Panels	2	2 of 2
<b>K6</b>	Right Drawer Side	3	1 of 2	<b>O</b>	Gate Leg	1	2 of 2
<b>K9</b>	Left Deep Drawer Side	1	1 of 2	<b>K4</b>	Drawer Back	3	2 of 2
<b>K10</b>	Right Deep Drawer Side	1	1 of 2	<b>K7</b>	Deep Drawer Front	1	2 of 2
<b>K11</b>	Drawer Bottom	4	2 of 2	<b>K8</b>	Deep Drawer Back	1	2 of 2
<b>K3</b>	Drawer Front	3	2 of 2	<b>I</b>	Ironing Pad	1	2 of 2
<b>K1</b>	Removable Peg Board	2	2 of 2				

# Parts List: Hardware

**TIP: Keep all the parts in their individually labeled bags. This will make finding parts easier as you assemble your cabinet.**

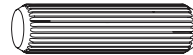
NOTE: **P Brackets** shown below are an optional part, used to add extra stability to the back panel of your cabinet. If you choose not to use them, the function of your cabinet will not be affected.



**c1** 6x35 Cam Bolt **x36**



**c2** 5/8" Cam Cover **x60**



**d1** 8x30 Dowel Pin **x16**



**d2** 6x50 Dowel Pin **x154**



**s1** 3.5x14 Screw **x20**



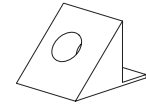
**s2** 3x14 Screw **x8**



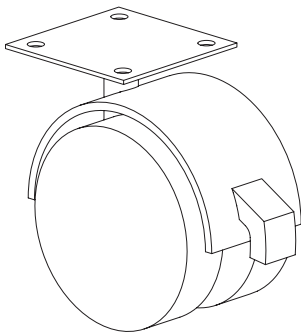
**s3** 3.5x35 Screw **x16**



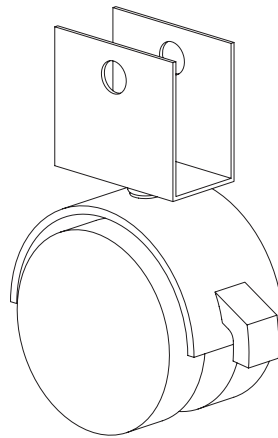
**b** 6x25 Bolt and nut **x1**



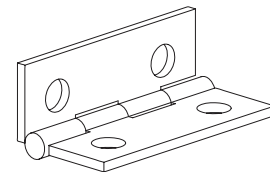
**p** P Brackets **x4**



**t1** Plate Caster **x4**

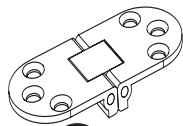


**t2** Caster **x1**



**h2** Hinge **x2**

## Pre-installed parts



**h4**  
Snag Free Hinge



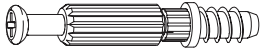
**c5** Cam



Drawer Runners

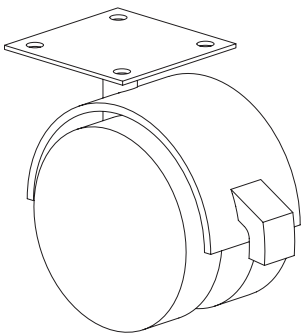
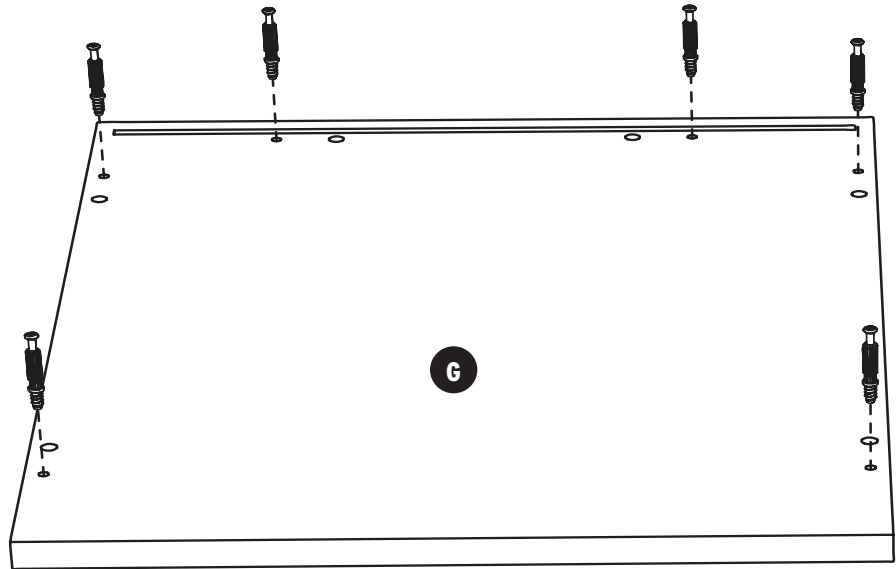
# Part One: Cabinet Shell

Congratulations and welcome to Kangaroo Sewing Furniture! We can't wait to get your brand new Kiwi Storage Cabinet up and running! Please contact our Customer Service Team at 1-800-533-7347 ext. 1 during normal business hours with any assembly related questions.



**c1** 6x35 Cam Bolt **x6**

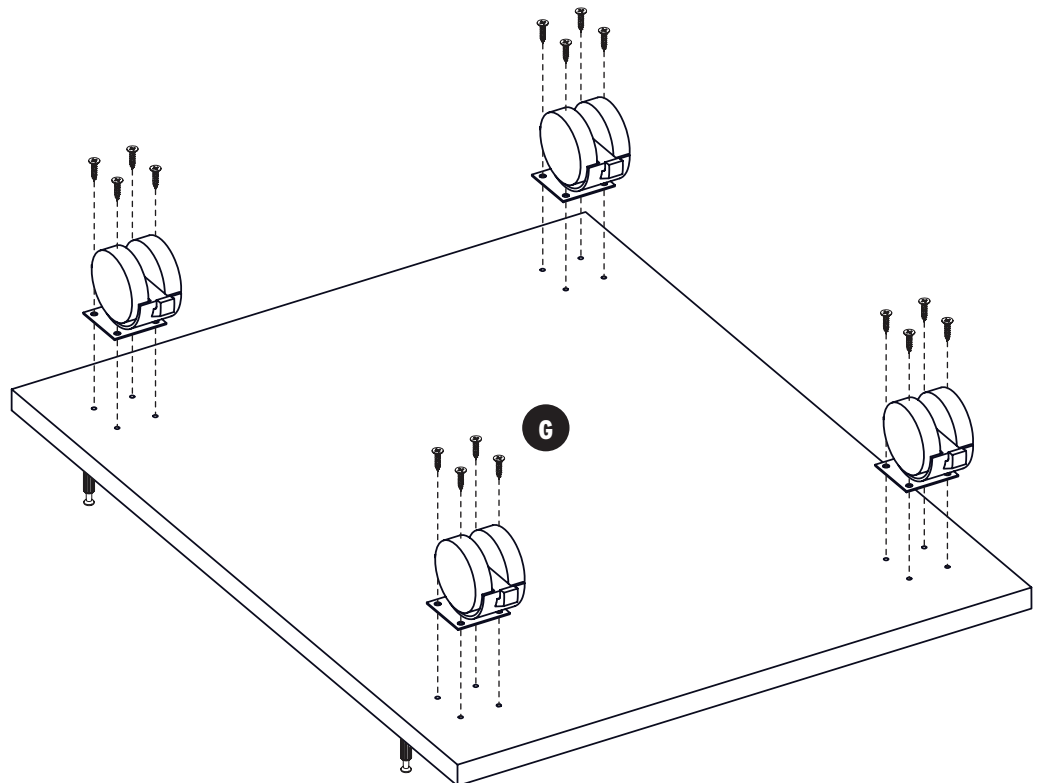
Insert **Cam Bolts** into pre-installed cam anchors on **Panel G**.



**t1** Plate Caster **x4**



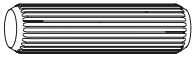
**s1** 3.5x14 Screw **x16**



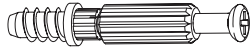
Turn the panel over and attach **Plate Casters** using **s1 Screws**.

Lock the **Casters** and flip **Panel G** over. Set aside.

# Part One: Cabinet Shell

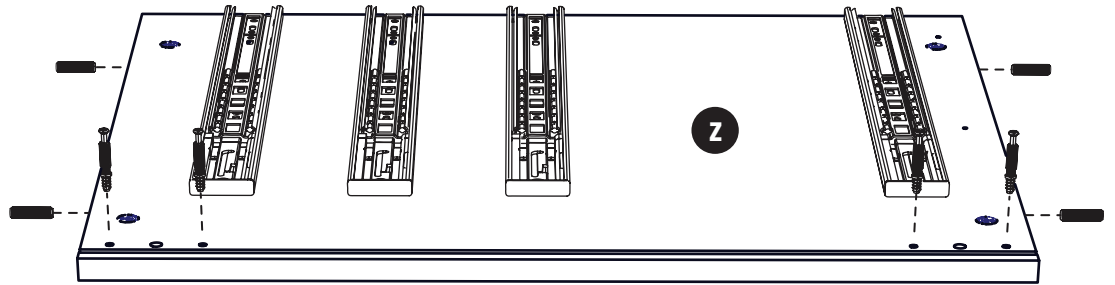


**d1** 8x30 x8

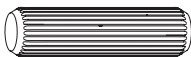
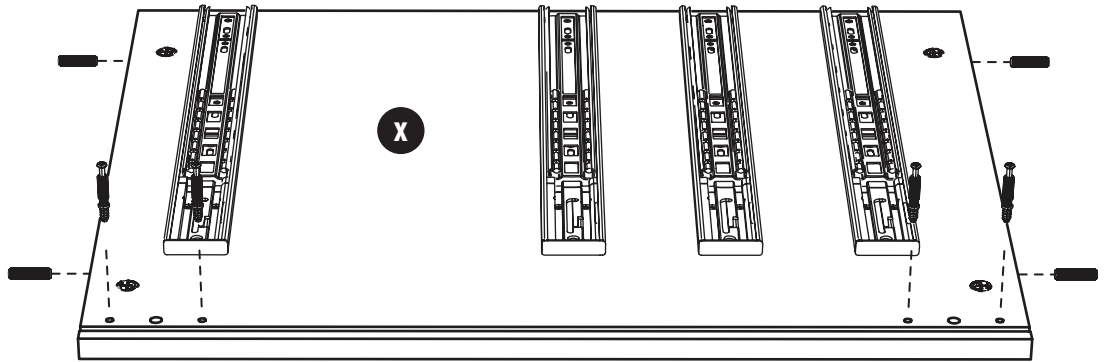


**c1** 6x35 x8

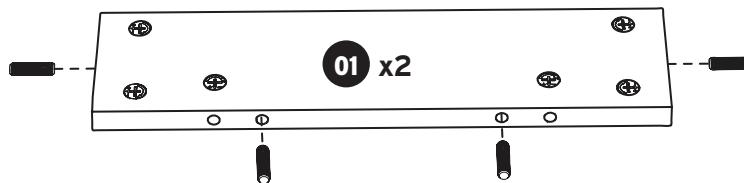
Install 4 **Dowel Pins**  
in **Panel Z**  
Install 4 **Cam Bolts**  
in **Panel Z**



Install 4 **Dowel Pins**  
in **Panel X**  
Install 4 **Cam Bolts**  
in **Panel X**

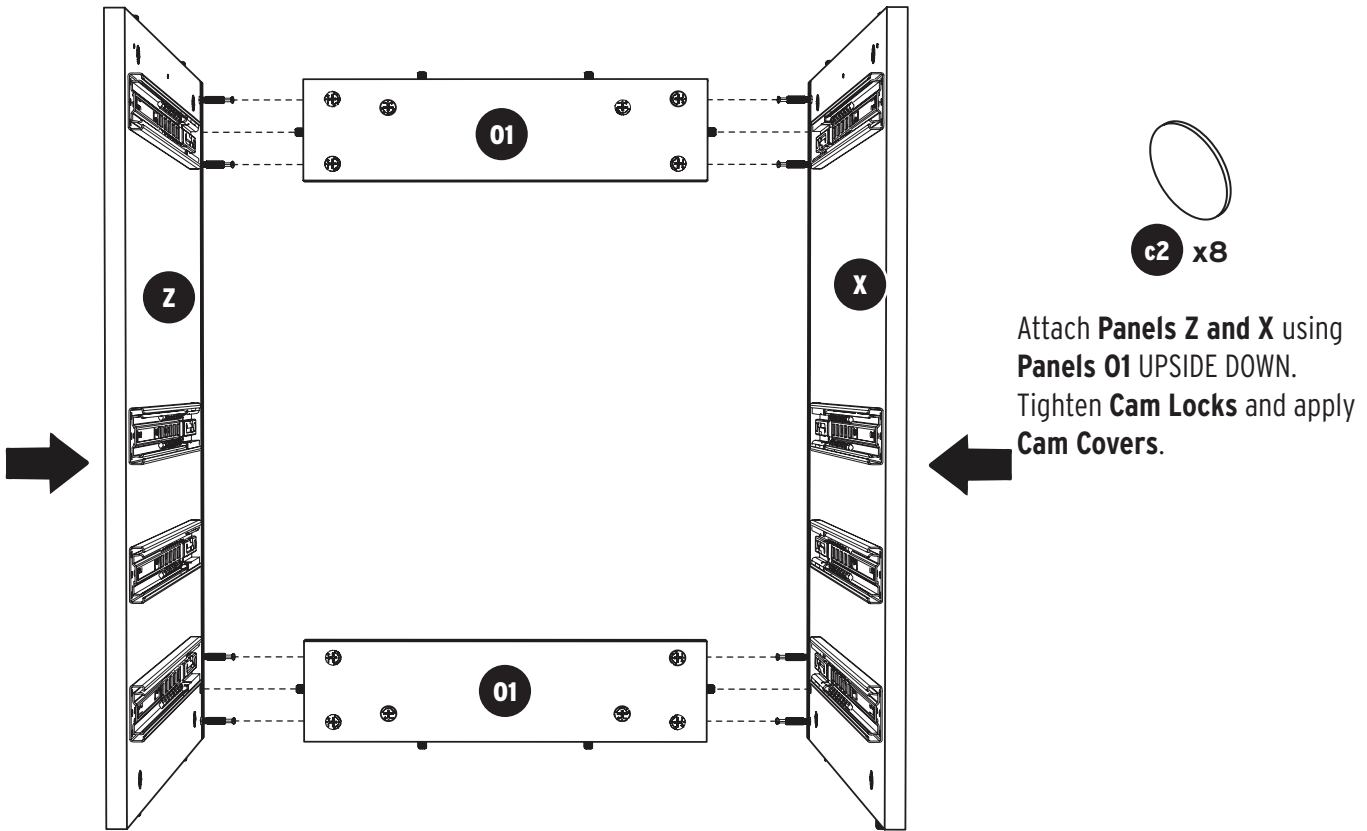


**d1** 8x30 x8



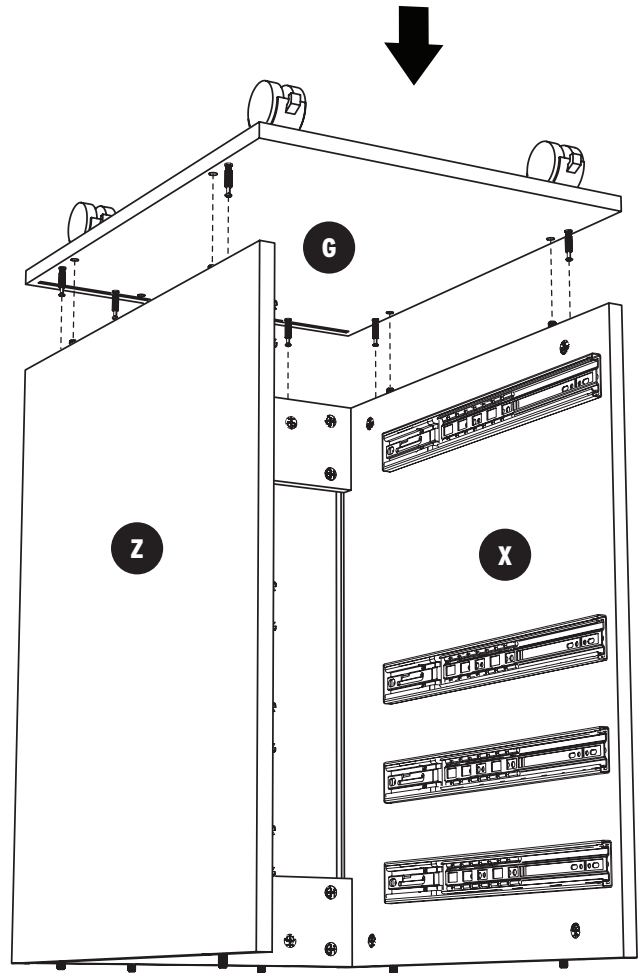
Insert 4 **Dowel Pins** in each of the two **Panel 01** pieces.

# Part One: Cabinet Shell



Attach **Panel G**. Tighten **Cam Locks** and apply **Cam Covers**.

Make sure **Plate Casters** are locked and turn the cabinet over onto its wheels.

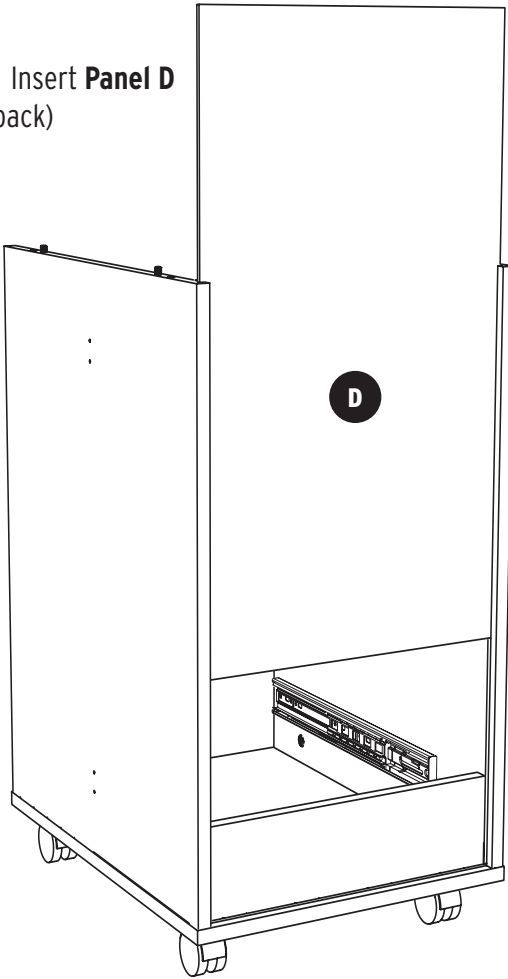


# Part One: Cabinet Shell

1.



1. Insert **Panel D**  
(back)



NOTE: **Panels A1 and A2** come pre-assembled with pre-installed hinges

2. Prep **Panel A1/A2** with **Cam Bolts** as shown below.

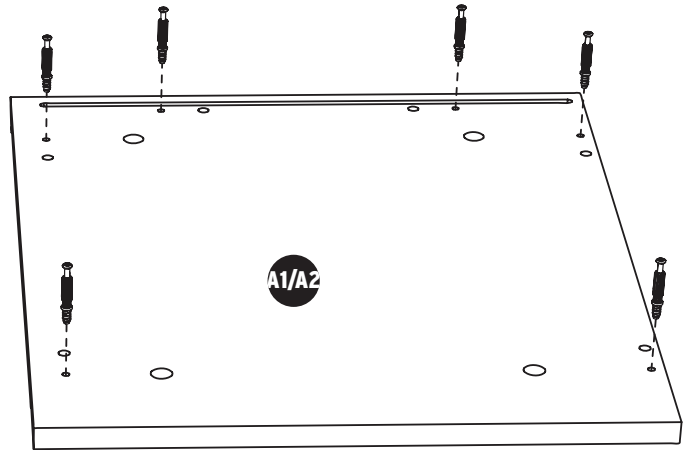
2.



**c1** 6x35 x6



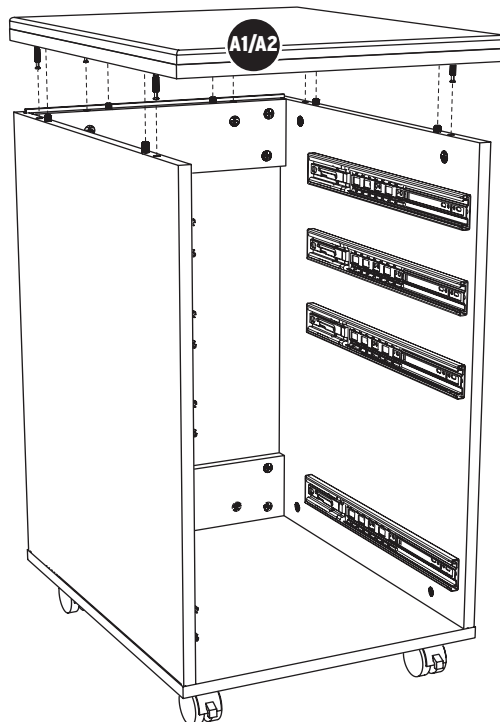
**c2** x6



3.

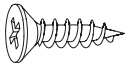


3. Attach **Panel A1/A2** to **Panels X, Z and O1** as shown. Tighten **Cam Locks** and apply **Cam Covers**.

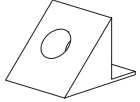




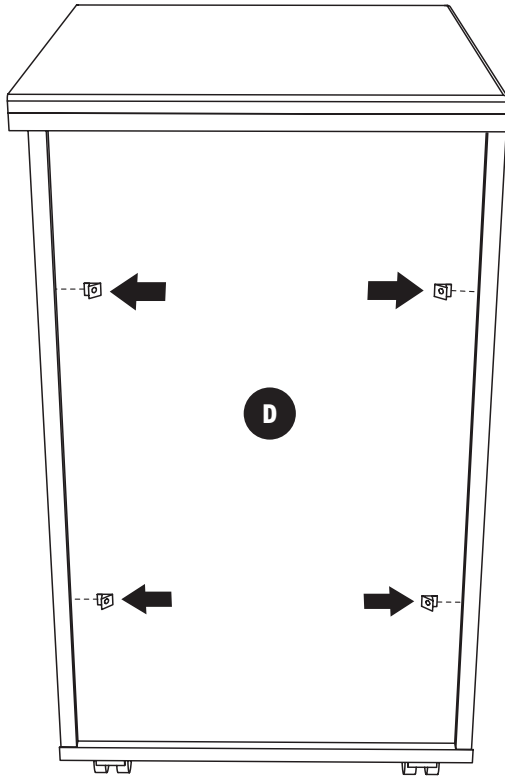
# Part One: Cabinet Shell



**s1** x4

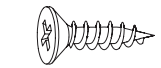


**p** x4



**P-Brackets** are optional. They work to help stabilize the back panel of your cabinet. If you choose not to use them, your cabinet will still function as it should.

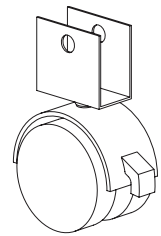
Measure approximately 8 inches from the top and bottom of the cabinet. Slide **P-Brackets** into the seam between **Panel X** and **Panel D**, and **Panel Z** and **Panel D**. Attach with **s1 Screws**.



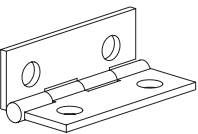
**s2** x4



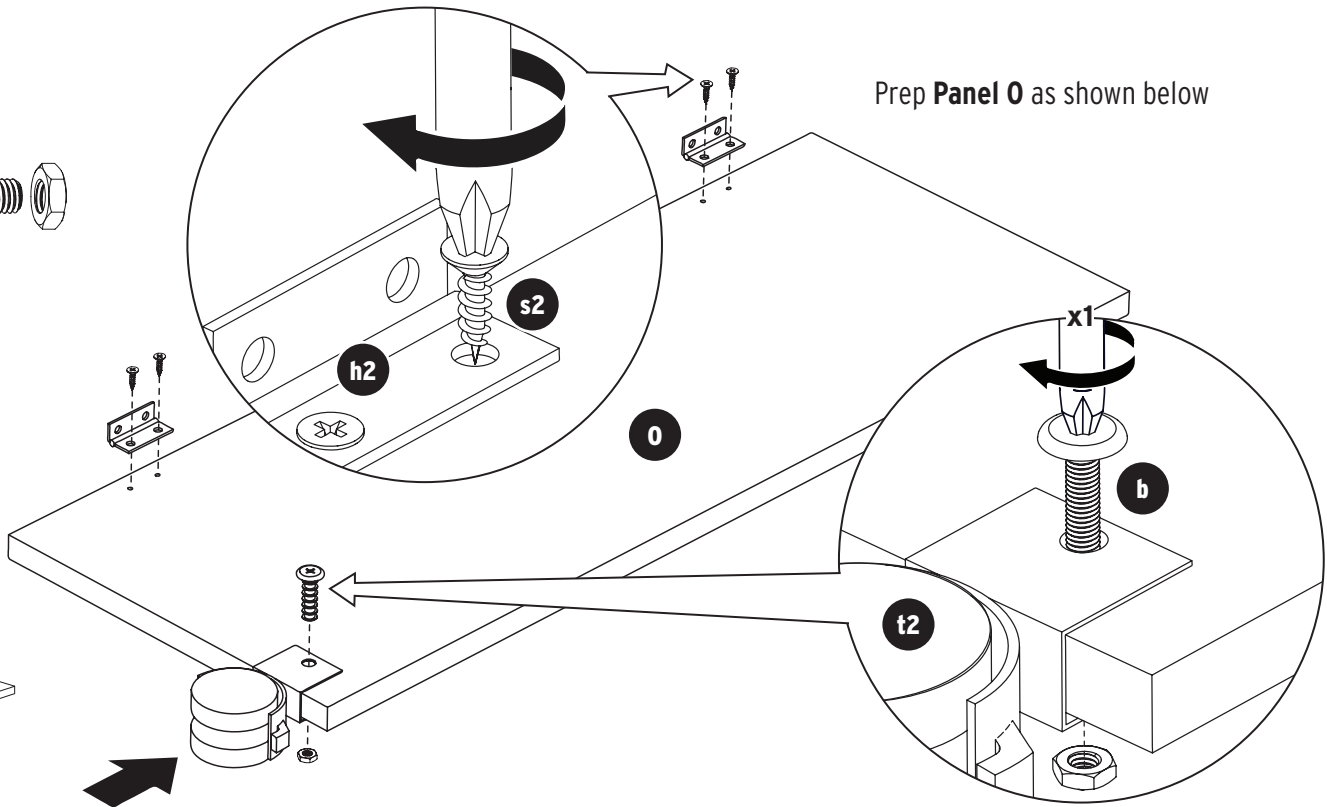
**b** x1



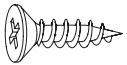
**t2** x1



**h2** x2

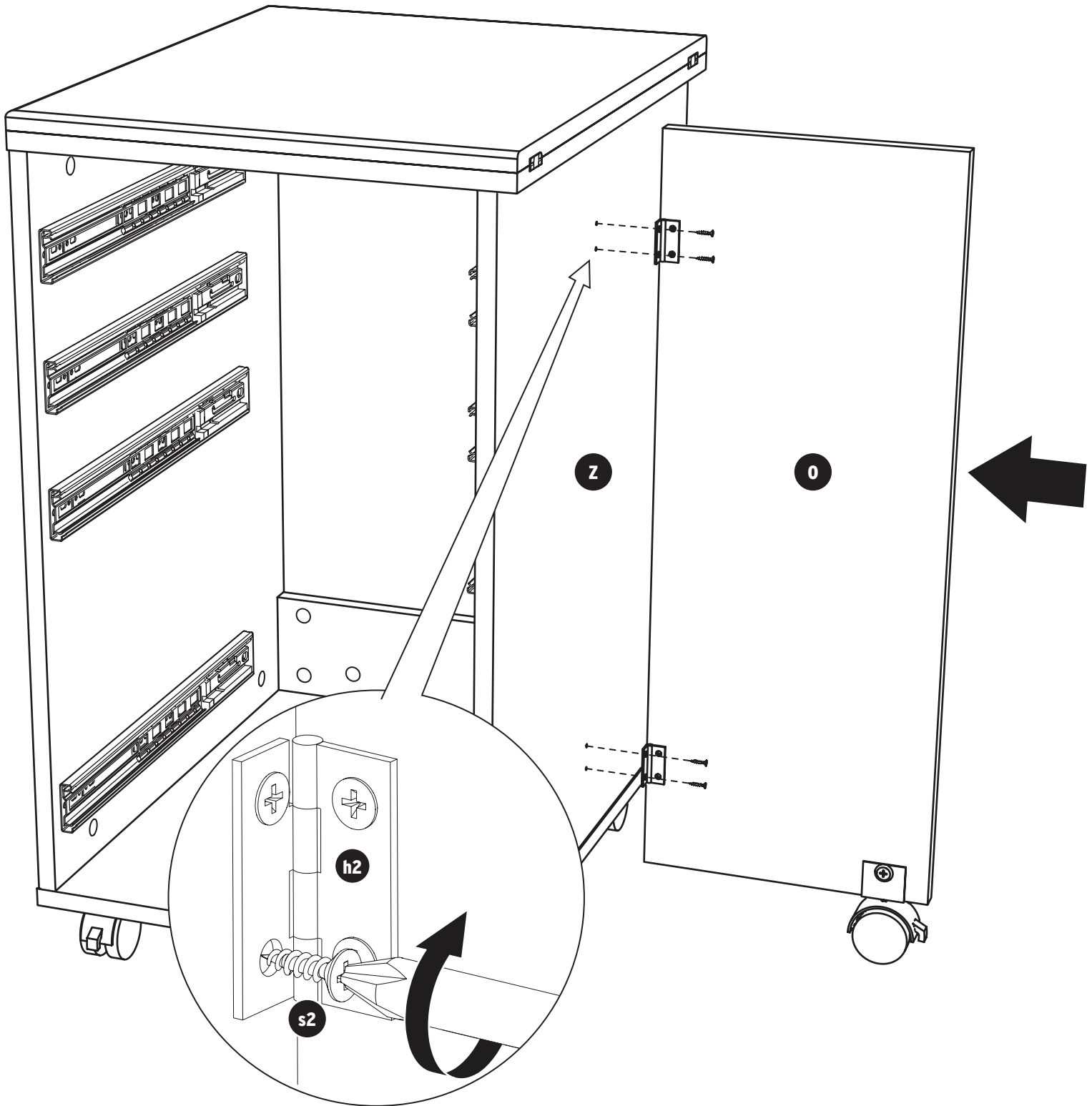


# Part One: Cabinet Shell

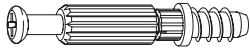


**s2** x4

Attach **Panel 0** to **Panel Z** with **s2** Screws as illustrated below.



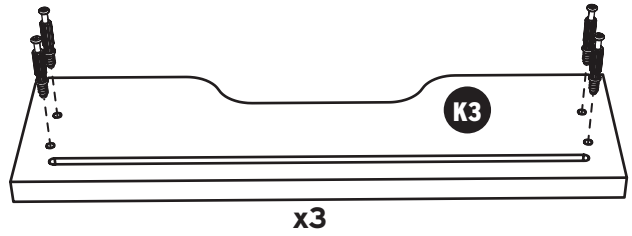
# Part Two: Drawers



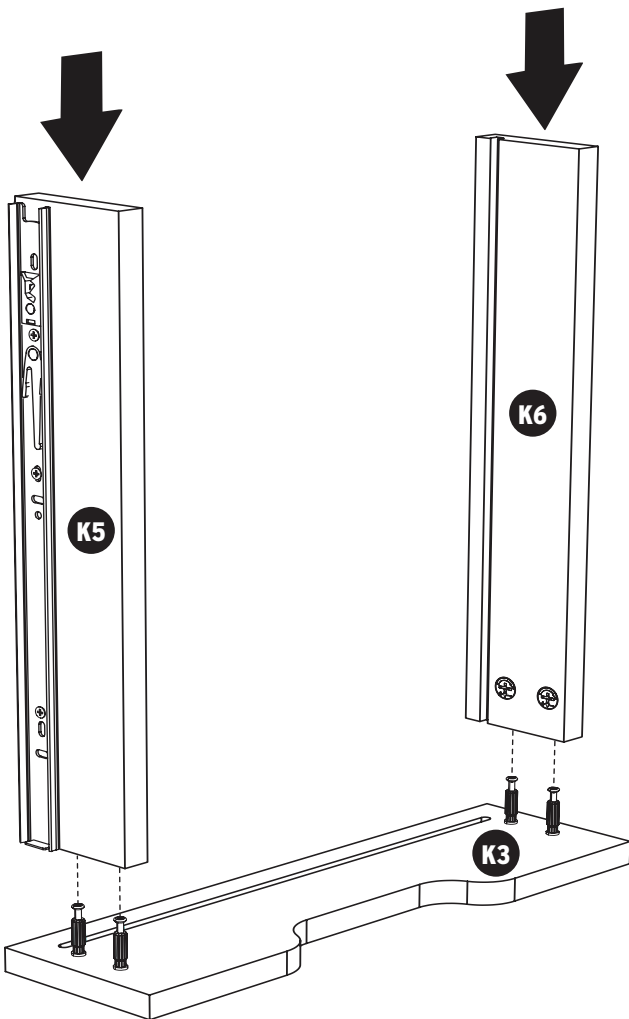
**c1** 6x35 x12



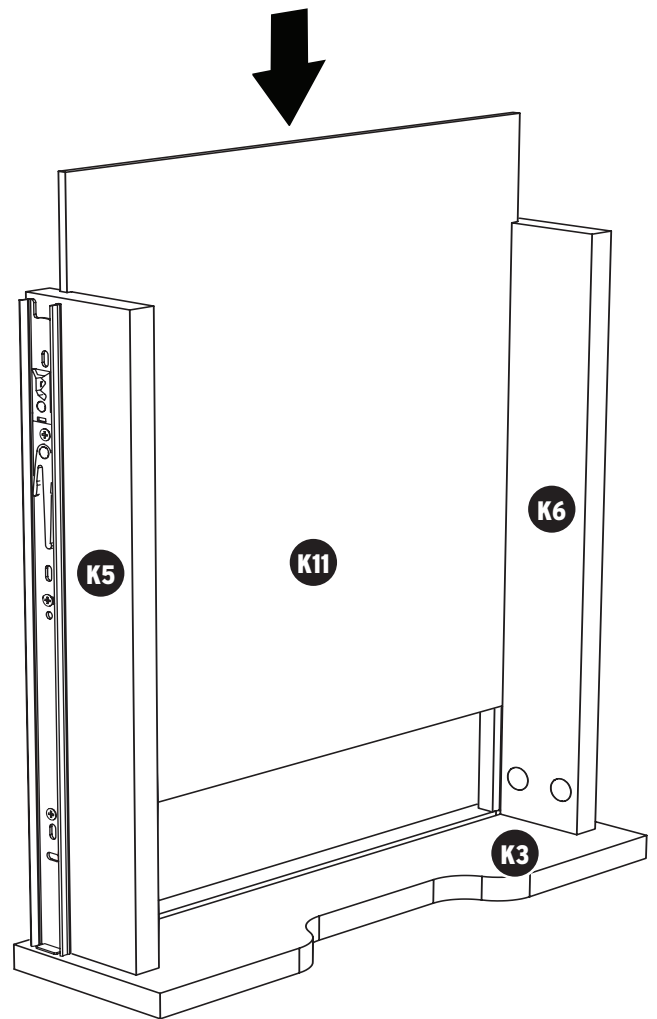
**c2** x4



Prep drawer front **Panel K3** as shown above by installing 4 **c1 Cam Bolts**. *Repeat x3*



Attach side **Panels K5 and K6** to drawer front **Panel K3**. Tighten cams and apply covers.

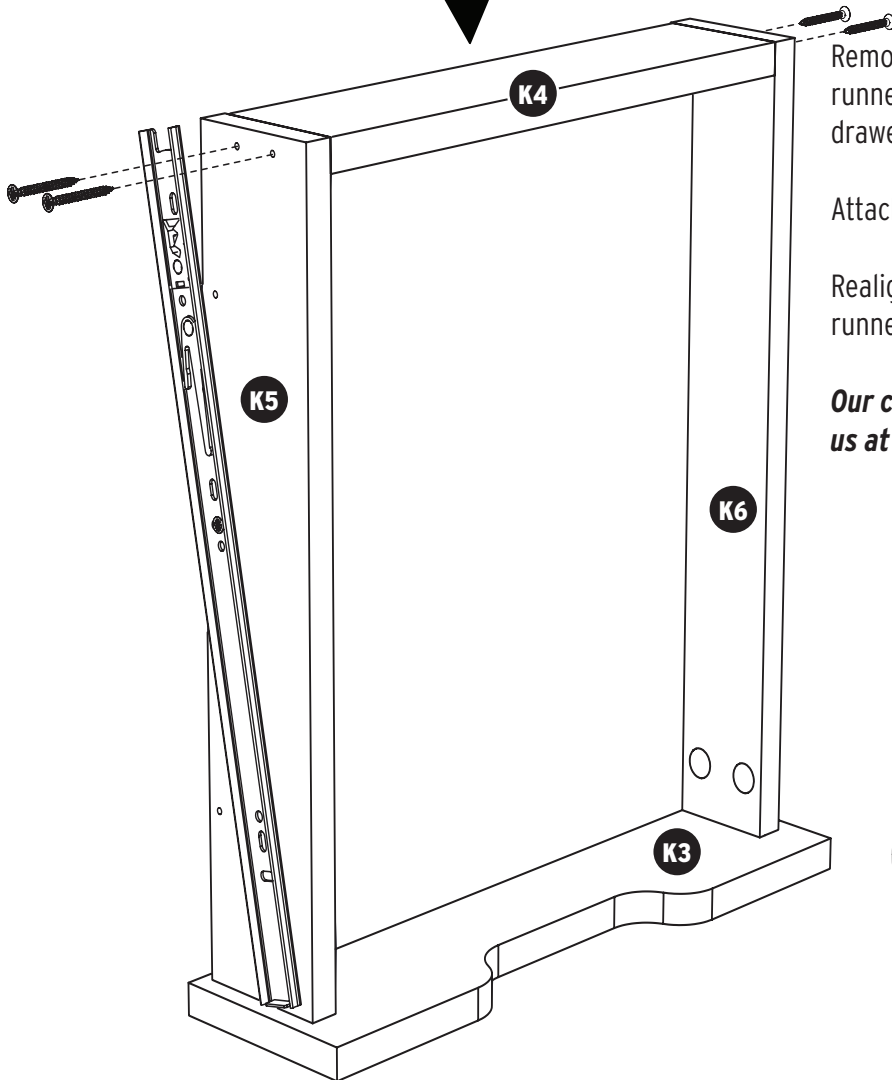
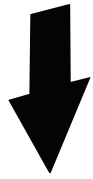
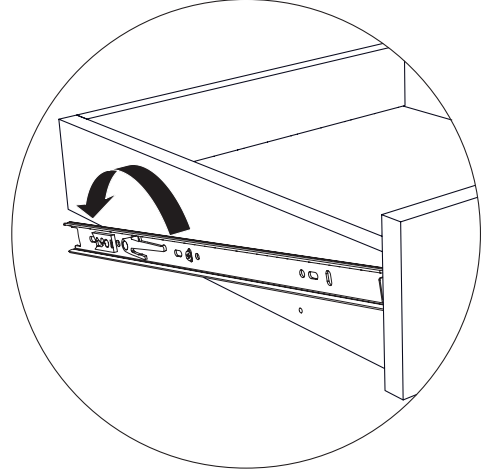
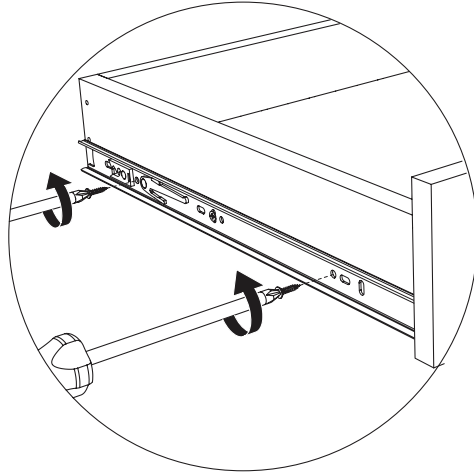


Slide drawer bottom **Panel K11** into the grooves on **Panels K5, K6 and K3**.

## Part Two: Drawers



**s3** 3.5x35 Screw **x4**



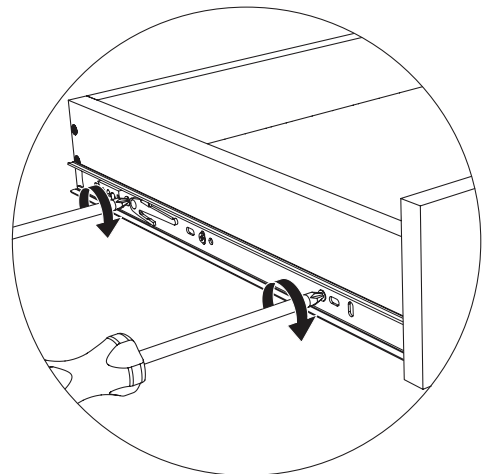
To reach the pre-drilled screw holes on the sides of **Panels K5 and K6**, you will need to tilt the drawer runners.

Remove the front and back screws on the drawer runners, leaving the middle screw installed. Pivot the drawer runners to access screw holes as shown above.

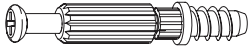
Attach back **Panel K4** using **s3 Screws**.

Realign drawer runner and replace screws on drawer runner as shown below.

*Our customer service agents are ready to help! Call us at 1-800-533-7347, ext. 1.*



## Part Two: Drawers



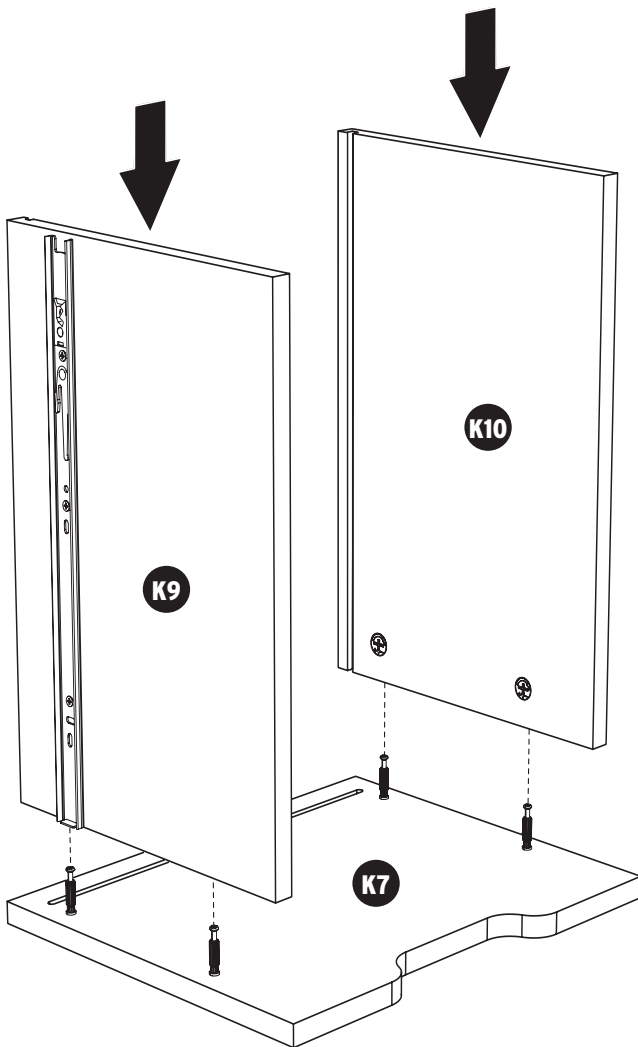
**c1** 6x35 x4



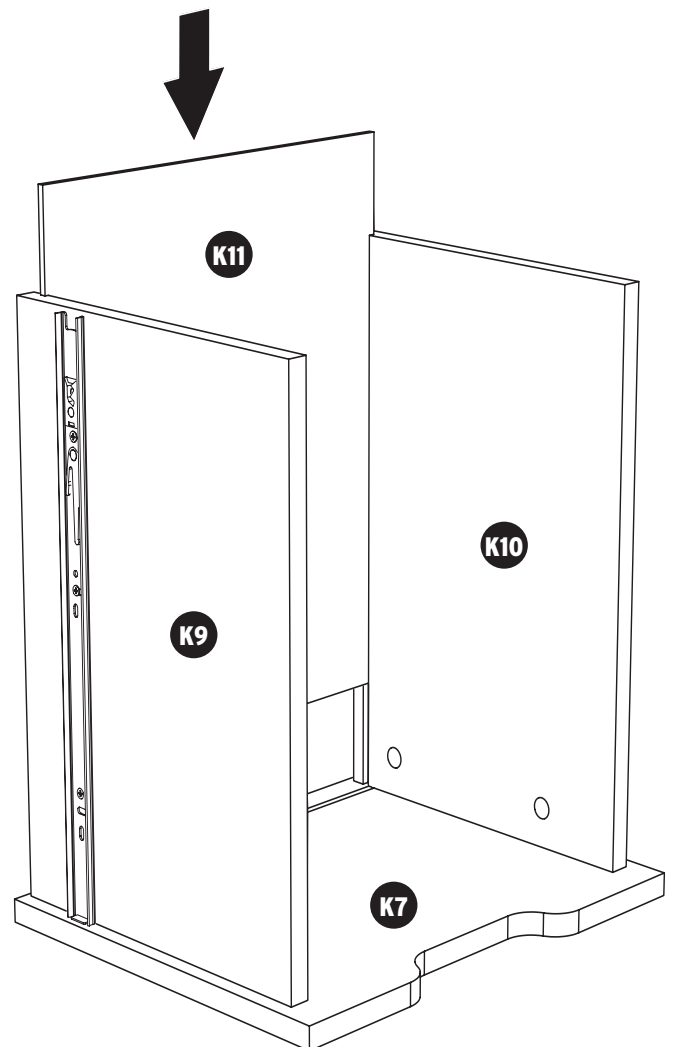
**c2** x4



Prep drawer front **Panel K7** as shown above by installing 4 **c1** Cam Bolts



Attach side **Panels K9 and K10** to drawer front **Panel K7**. Tighten cams and apply covers.

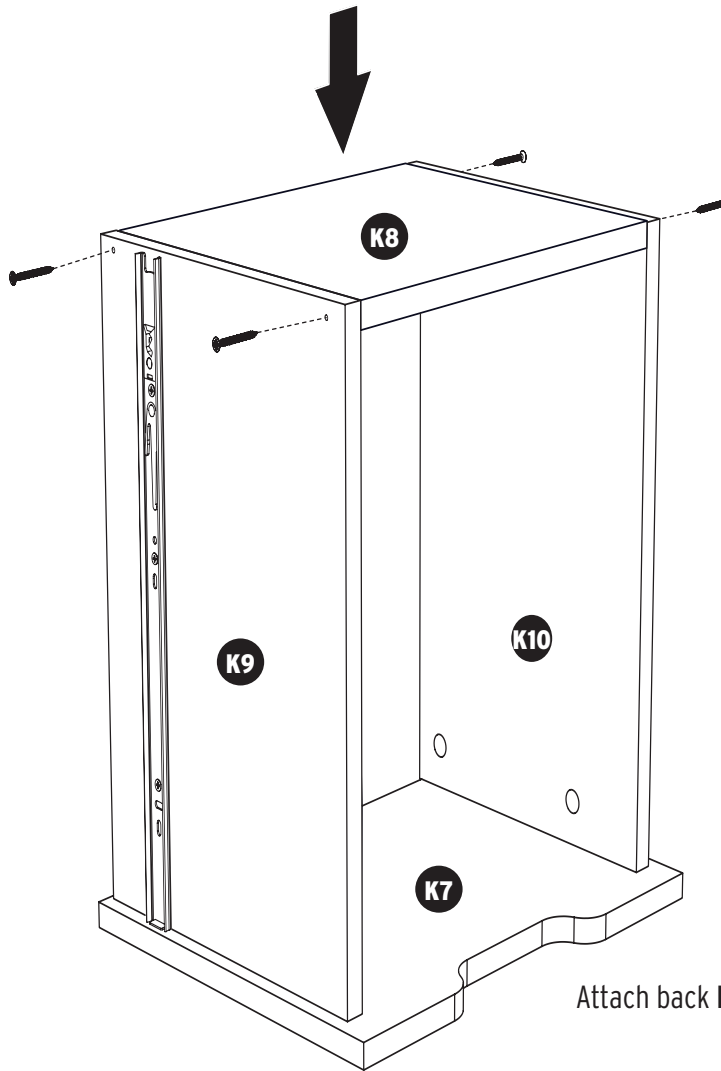


Slide drawer bottom **Panel K11** into the grooves on **Panels K9, K10 and K7**.

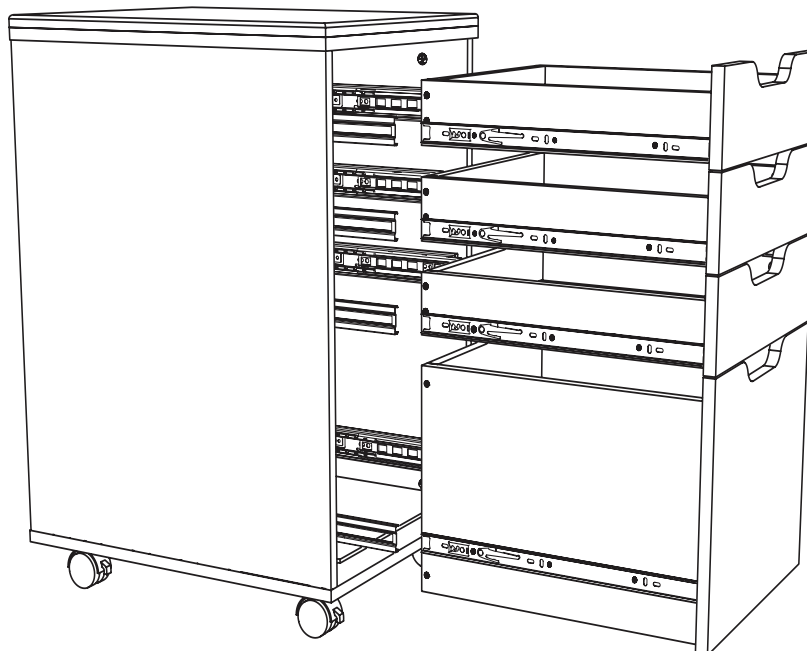
## Part Two: Drawers



**s3** 3.5x35 Screw **x4**



Attach back **Panel K8** using **s3** Screws.



Fully extend the cabinet rails, align drawer rails, and slide drawers into cavity. **Be sure that the silver ball bearing pieces are positioned all the way to the front of the rails.**

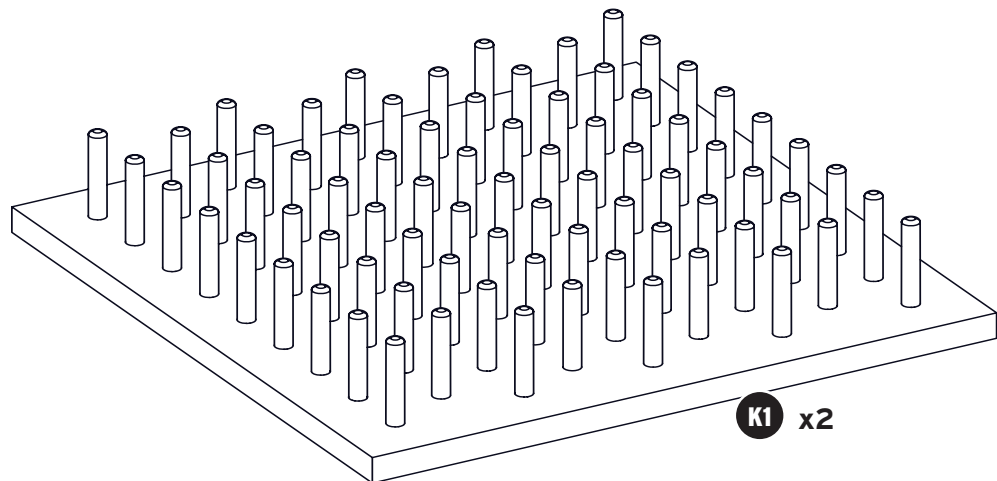
**TIP:** Gently open and close the drawers a few times to engage the Soft Close mechanism.

# Part Three: Removable Peg Boards

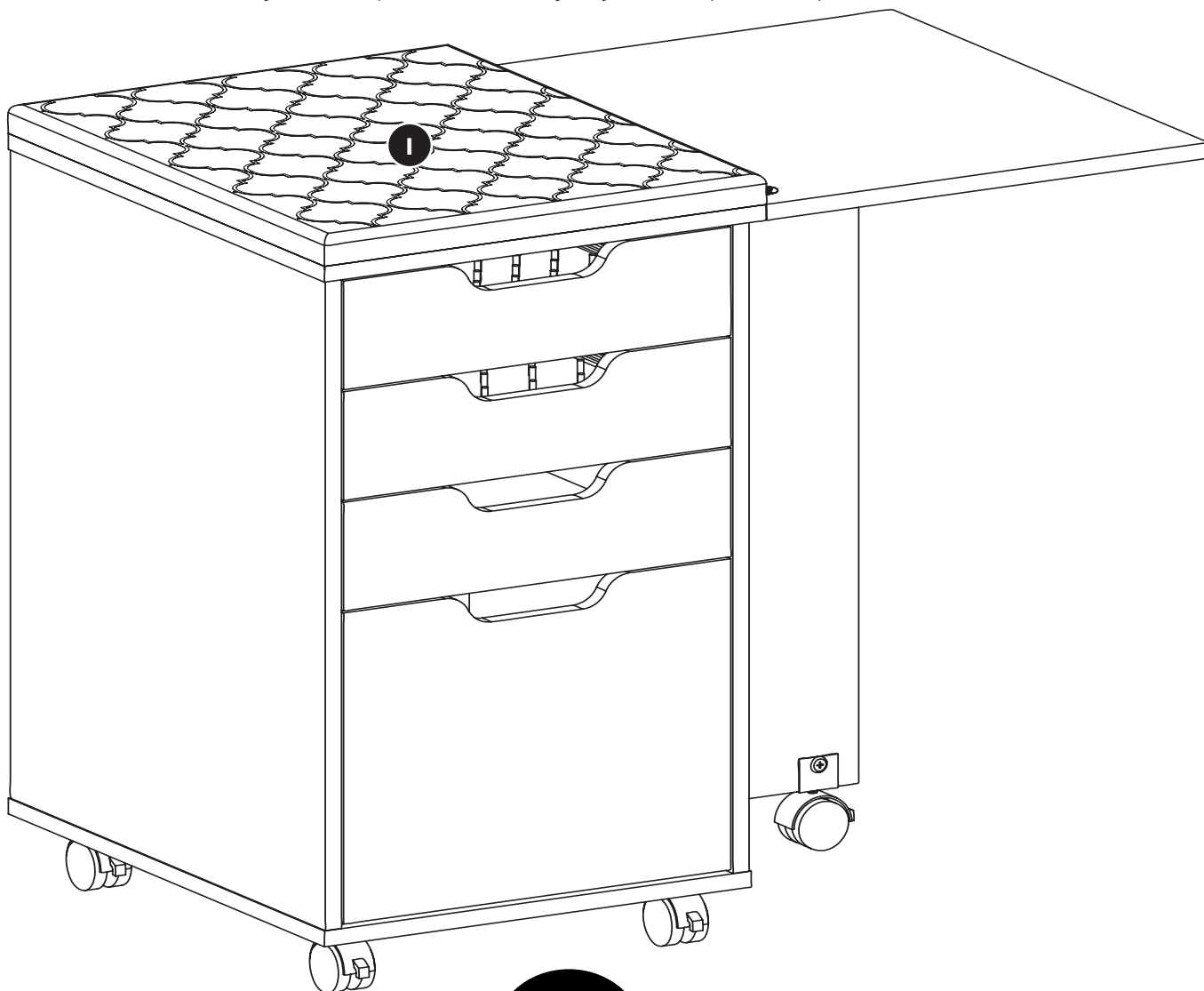


**d2** 6x50 Dowel Pin **x154**

Insert 154 **d2 Dowel Pins** into two **K1 Panels**. Place in drawers.



Place **Panel I Ironing Pad** on top of **Panel A1**, aligning with dimples on top of **Panel A1**



**Congratulations! A better sewing experience awaits!**



KANGAROO™  
sewing furniture

## LIMITED LIFETIME WARRANTY

### Kangaroo™ Sewing Furniture Limited Lifetime Warranty

**WHAT THIS WARRANTY COVERS:** Arrow Companies, LLC "Arrow" provides a Limited Lifetime Warranty "Warranty" to the original purchaser of this product against defects in materials or workmanship of furniture components. As used in this Warranty, "defect" means imperfections in components which substantially impair the utility of the product. This Warranty gives you specific legal rights, and you may also have other rights which vary from state to state. Electrical and mechanical components of furniture are warranted for 5 years.

**HOW TO GET SERVICE:** Simply contact Arrow at 1-800-533-7347 or CS@ArrowSewing.com. When you request Warranty service, you must also present proof of purchase documentation, which includes the date of purchase (detailed receipt), and photos of the product. Arrow will replace any defective part (at its sole option), excluding labor. Replacement parts will be warranted for only the remaining period of the original Warranty.

Replacement parts will be shipped freight prepaid on any initial Warranty claim during first year of Warranty only. Warranty applies only to defects confirmed by Arrow and will be replaced or repaired at Arrow's option. In the event parts are no longer available for a Warranty claim, customer may receive a brand new cabinet at a price equal to 60% off the MSRP of a current comparable model.

**WHAT'S NOT COVERED:** There is no Warranty coverage for defects or conditions that result from the failure to follow product assembly instructions, information or warnings, misuse or abuse, intentional damage, fire, flood, alteration or modification of the product, or use of the product in a manner inconsistent with its intended use, nor any condition resulting from incorrect or inadequate maintenance, cleaning, care, or neglect, cuts or scratches, caster damage as a result of moving furniture fully loaded or with locked casters, damage resulting from electrical surge or lightning, or use in commercial or education environments. Kangaroo Sewing Furniture is designed for residential use only.

ARROW SHALL HAVE NO LIABILITY for ANY INCIDENTAL OR CONSEQUENTIAL DAMAGES OF ANY KIND and all such damages are EXCLUDED FROM THIS Warranty, such as loss of use, disassembly, transportation, labor, or damage to property on or near the product. Some states do not allow the exclusion or limitation of incidental or consequential damages, so the above limitation or exclusion may not apply to you. The Warranty cannot be transferred to subsequent owners or users of the product, and it shall be immediately void in the event the product is resold, transferred, leased or rented to any third party or person other than the original purchaser.

**ADDITIONAL LIMITATIONS:** THERE ARE NO OTHER WARRANTIES APPLICABLE TO THIS PRODUCT. Under the laws of certain states, there may be no implied warranties from Arrow and all implied warranties, INCLUDING ANY IMPLIED Warranty OF MERCHANTABILITY OR FITNESS FOR A PARTICULAR PURPOSE are disclaimed where allowed by law. TO THE EXTENT ANY IMPLIED WARRANTIES ARE APPLICABLE, ANY IMPLIED WARRANTIES, INCLUDING ANY IMPLIED Warranty OF MERCHANTABILITY OR FITNESS FOR A PARTICULAR PURPOSE, ARE LIMITED IN DURATION TO THE DURATION OF THIS EXPRESS Warranty or the minimum period allowed by law, whichever is shorter. Some states do not allow limitations on how long an implied Warranty lasts, so the above limitation may not apply to you. This limited Warranty gives you specific legal rights. This limited Warranty does not, in any way, affect the rights given to you by law.

**REGISTER YOUR PRODUCT:** Original purchaser should register the purchase online at [www.ArrowSewing.com/Warranty](http://www.ArrowSewing.com/Warranty).

SEW IN COMFORT. SEW LONGER.™

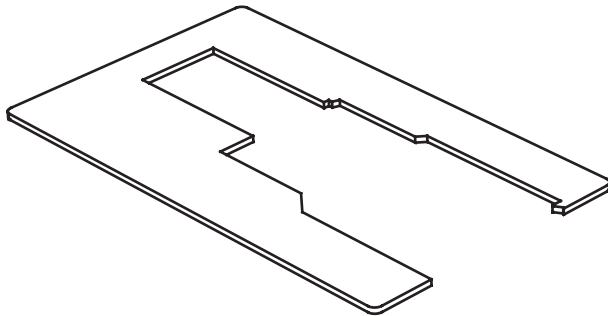




## Accessories to Complete Your Sewing Studio

### Custom Insert

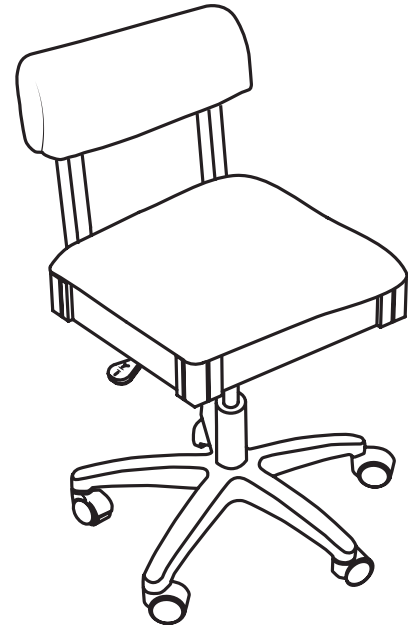
Enhance your sewing experience with a custom acrylic sewing insert! Custom acrylic sewing inserts are designed to fill the gap between your sewing machine and sewing cabinet's lift opening to create a flush, ergonomic surface for flat bed sewing. To ensure a perfect fit, custom acrylic sewing inserts are built specifically for your sewing machine and sewing cabinet combination. Say hello to happy wrists, straighter stitches, and an elevated sewing experience!



Insert

### Arrow Sewing Chairs

Arrow's #1 Rated Height Adjustable Sewing Chair is a must have accessory for your dream sewing room! Cute, comfortable and convenient - our lovable sewing chairs feature vibrant sewing themed patterns, 360 swivel access and lumbar support for long hours at your workstation. Don't look now, but under every seat cushion is a hidden storage compartment to store your notions and patterns! Available in 10 colors to perfectly match your sewing sanctuary!



Height Adjustable Sewing Chair

P.O. Box 410 Elkhorn, WI 53121  
1-800-533-7347 Ext. 1  
CS@ArrowSewing.com  
www.ArrowSewing.com

10-21