

b68
AIRLOCK



Quick Start Guide

bernette

SWISS DESIGN

IMPORTANT SAFETY INSTRUCTIONS

Please be aware of the following basic safety instructions when using your machine. Before using this machine, read instruction manual carefully.

DANGER!

To reduce the risk of electrical shock:

- Never leave the machine unattended as long as it is plugged in.
- Always unplug the machine from the electrical outlet after using and before cleaning.

Protection against LED radiation:

- Do not view the LED light directly with optical instruments (e.g. magnifier). The LED light corresponds with protection class 1M.
- When the LED light is damaged or defective, contact your bernette specialist dealer.

WARNING

To reduce the risk of burns, fire, electric shock or injury to persons:

- To operate the machine always use the supplied power cable. USA and Canada only: Do not connect power plug NEMA 1-15 to circuits exceeding 150 volt-to-ground.
- This machine may only be used for the purpose described in this instruction manual.
- Only use the machine in dry rooms.
- Do not use the machine in a damp condition or in a damp environment.
- Do not use the machine as a toy. Increased caution is advised when the machine is used by or near children.
- This machine may be used by children eight years of age and older as well as persons with restricted physical, sensory or mental capacities or lack of experience and knowledge under supervision or having received instruction on the safe use of the machine and the resulting hazards. Children must not play with the machine.
- Cleaning and maintenance work must not be carried out by children without supervision.
- Do not use this machine if the cable or plug is damaged, the machine is not functioning correctly, it is dropped or becomes damaged or falls in water. Contact the nearest authorized bernette dealer to arrange further details.
- Only use the accessories recommended by the manufacturer.
- Do not use this machine if the ventilation openings are blocked. Keep all ventilation openings and foot control free of lint, dust and loose cloth.
- Do not insert any objects into the openings of the machine.
- Do not place any objects on the foot control.
- Always use the machine with a foot control of this 4C-326G/4C-316B.
- Do not use the machine anywhere that oxygen or propellant products (sprays) are being used.
- The knife cover insert or coverstitch insert must be attached continuously while operating the machine.
- Keep fingers away from all rotating and moving parts. Special care is required in the needle area, the looper and the knife.
- Neither pull nor push the fabric while sewing. This can cause needle breakage.

- Turn power switch to «0» when making any adjustments in the needle area, such as threading the needle or changing the needle or the presser foot.
- Never use damaged needles.
- Always use the original bernette stitch plate. The wrong stitch plate can cause needle breakage.
- To disconnect, turn power switch to "0" and then remove the plug from the outlet. Do not unplug by pulling the cord, instead grasp the plug to pull it from the outlet.
- Disconnect the plug before removing or opening the covers, oiling the machine or performing any cleaning or maintenance work described in this instruction manual.
- This machine is double-insulated (except for USA, Canada and Japan). Use only genuine replacement parts. See instructions for servicing of double-insulated products.

Important information

Availability of the instruction manual

The short manual is part of the machine.


- Keep the short manual of the machine in a suitable place near the machine and have it ready for reference.
- A detailed instruction manual can be downloaded from **www.bernette.com**.
- When passing on the machine to a third party, enclose the short manual of the machine.

Proper use

Your bernette machine is conceived and designed for private household use. It is intended for sewing fabrics and other materials as described in this instruction manual. Any other use is not considered proper. BERNINA assumes no liability for consequences resulting from improper use.

Maintenance of double-insulated products

In a double-insulated product two systems of insulation are provided instead of grounding. No grounding means is provided on a double-insulated product, nor should a means for grounding be added to the product. Servicing a double-insulated product requires extreme care and knowledge of the system and should only be done by qualified service personnel. Replacement parts for a double-insulated product must be identical to the original parts in the product. A double-insulated product is marked with the words: «Double-Insulation» or «double-insulated».

 The symbol may also be marked on the product.

Environmental Protection



bernette is committed to environmental protection. We strive to minimize the environmental impact of our products by continuously improving product design and our technology of manufacturing.

The machine is labeled with the symbol of the crossed-out wastebin. This means that the machine must not be disposed of with the household waste when the machine is no longer needed. Improper disposal can result in dangerous substances getting into the groundwater and thus into our food chain, damaging our health.

The machine must be returned free of charge to a nearby collection point for waste electrical and electronic equipment or to a collection point for the reuse of the machine. Information on the collection points can be obtained from your local administration. When purchasing a new machine, the dealer is obliged to take back the old machine free of charge and dispose of it properly.

If the machine contains personal data, you are responsible for deleting the data yourself before returning the machine.

Content

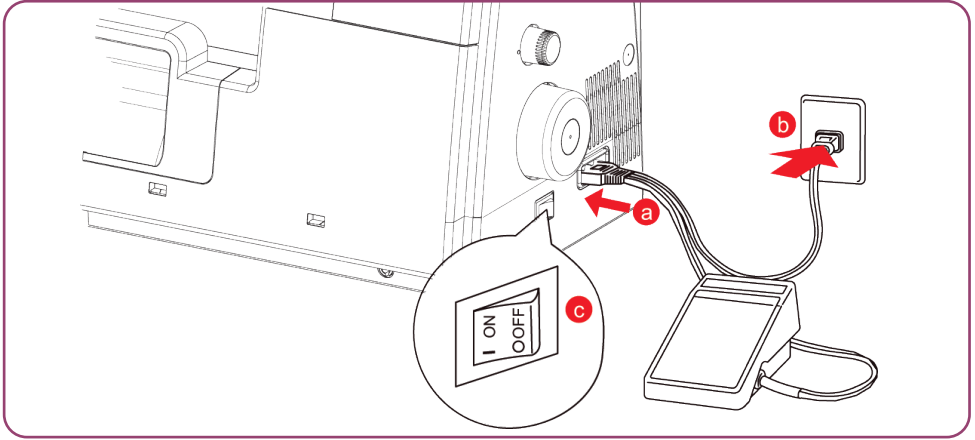
Details of machine	2
Connection and switching on	3
Changing the needle	3
Changing the presser foot	3
Setting up the machine.....	4
• Overlock/Combo.....	4
• Cover	5
Threading the looper threads.....	6
Threading the needle threads.....	9
Adjusting the thread tensions	11
• Overlock stitches.....	11
• Cover stitches	13
• Combo stitches.....	15
Setting the mtc micro thread control.....	17
Setting the cutting width	18
Setting the stitch length.....	18
Adjusting the differential feed.....	18
Cleaning and maintenance	19
Troubleshooting.....	22

Details of machine

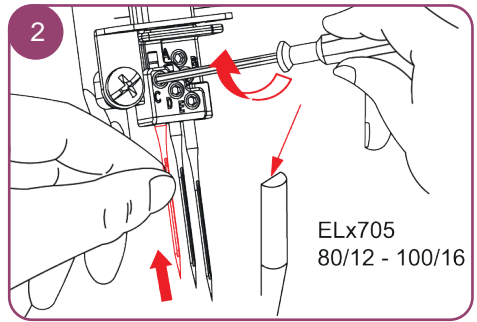
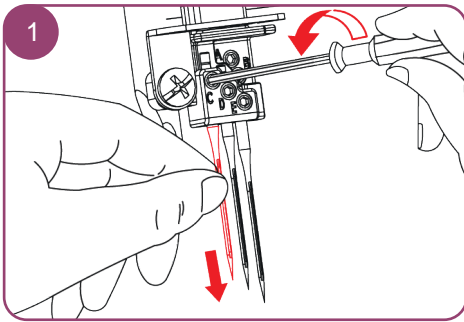


- | | | | |
|---|---------------------------------|----|----------------------------------|
| 1 | Presser foot lifter | 7 | Presser foot pressure wheel |
| 2 | Stitch Length Setting | 8 | Thread cutter |
| 3 | Differential Feed Dial | 9 | Connection for knee lifter (FHS) |
| 4 | Handwheel | 10 | Cutting width dial |
| 5 | Foot control-/ power connection | 11 | mtc micro thread control |
| 6 | Main switch | 12 | Rolled hem selection lever |

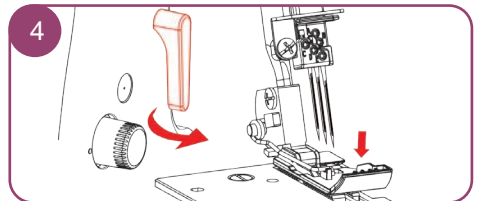
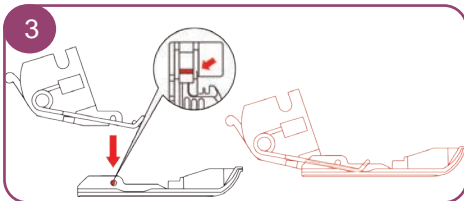
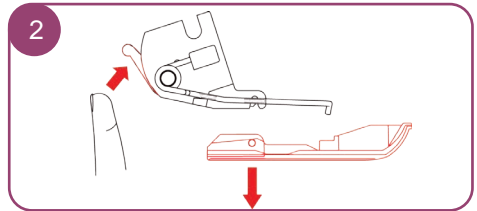
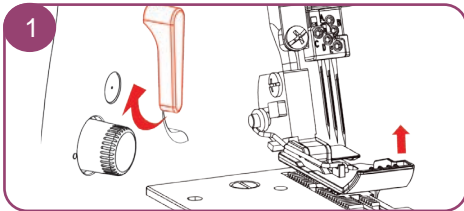
Connection and switching on



Changing the needle

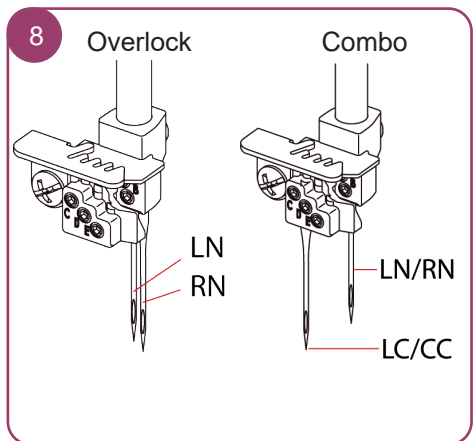
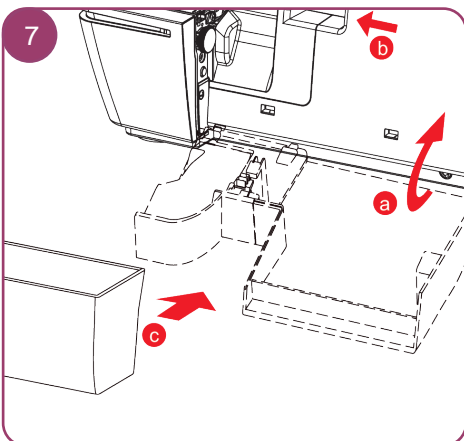
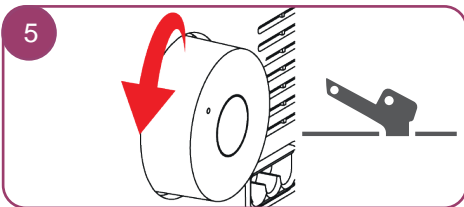
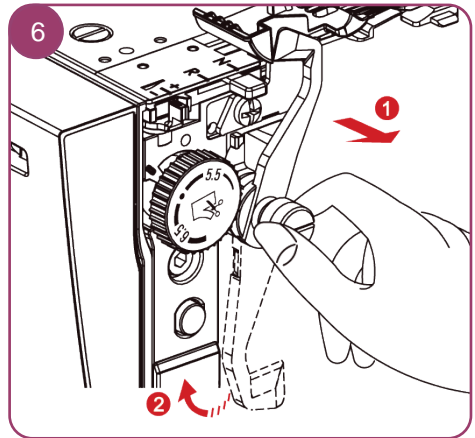
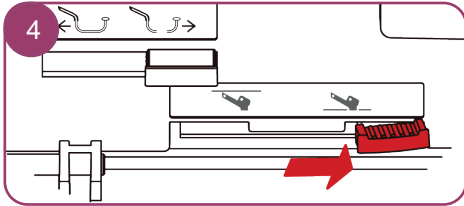
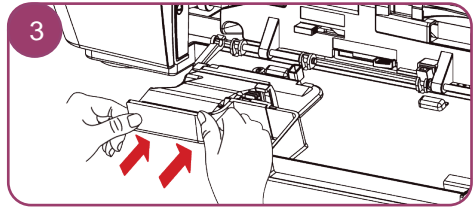
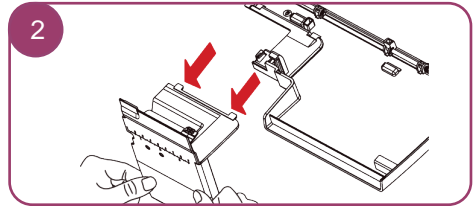
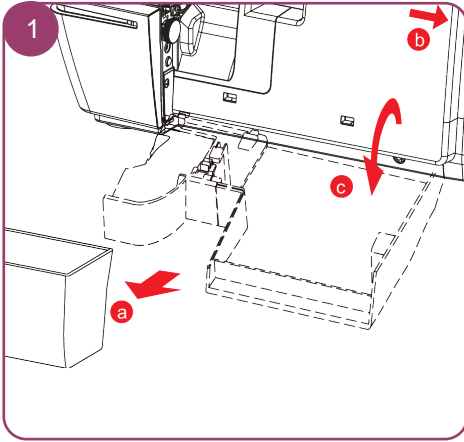


Changing the presser foot

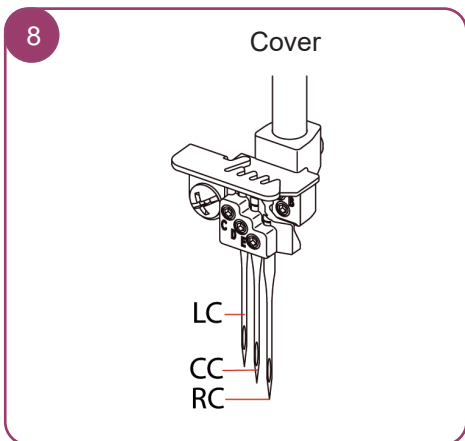
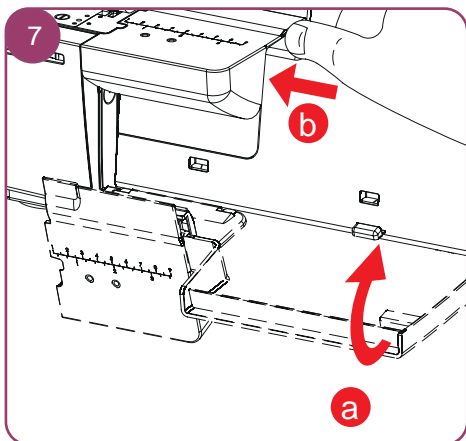
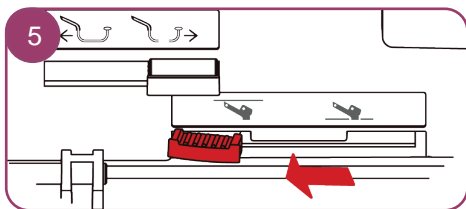
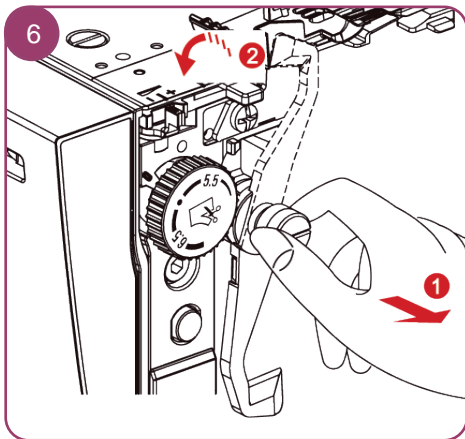
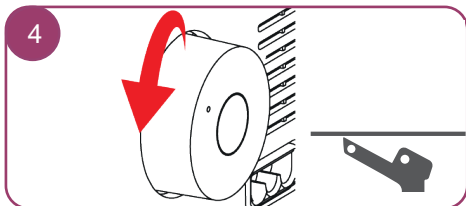
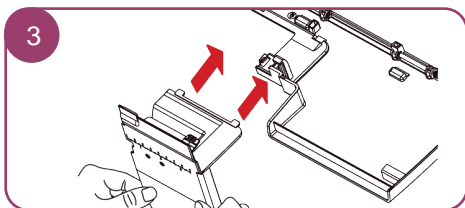
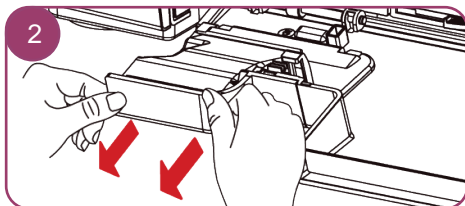
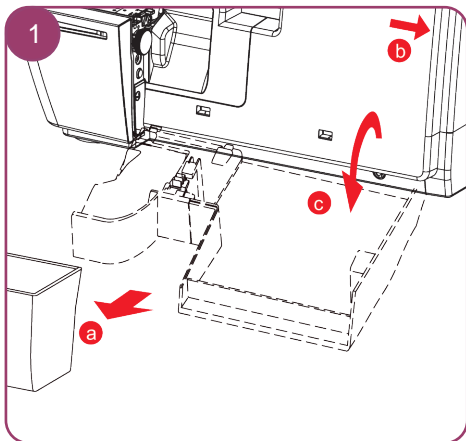


Setting up the machine

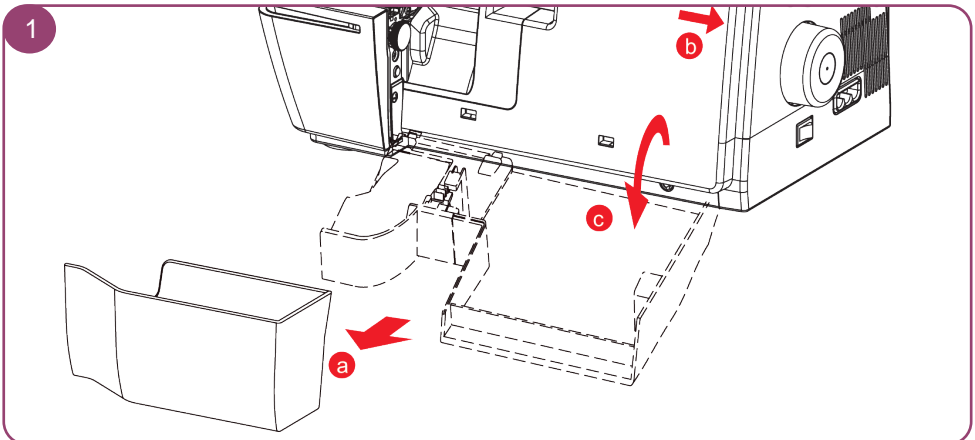
Overlock/Combo

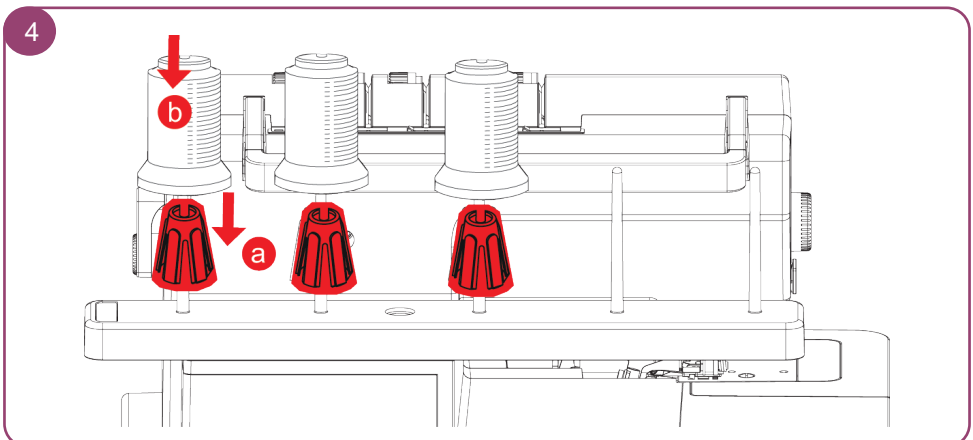
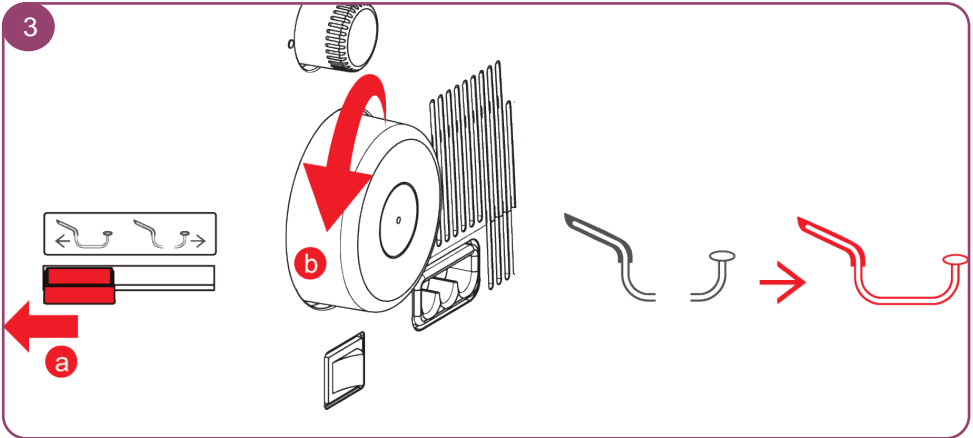
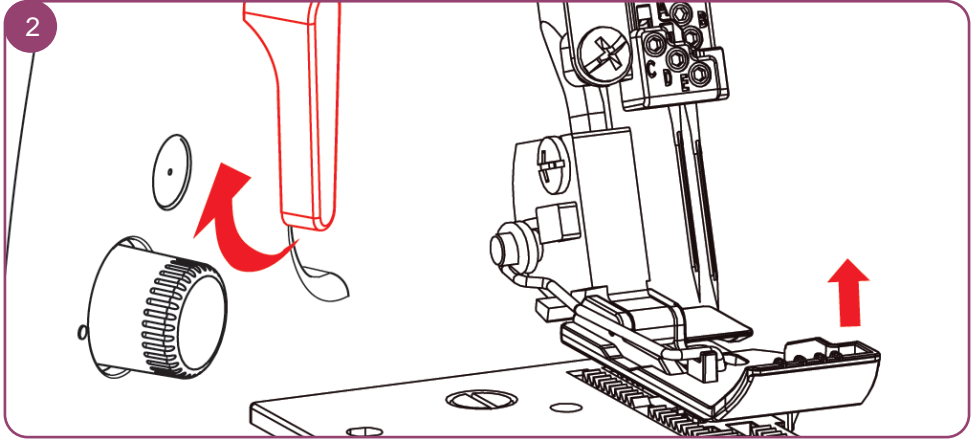


Cover

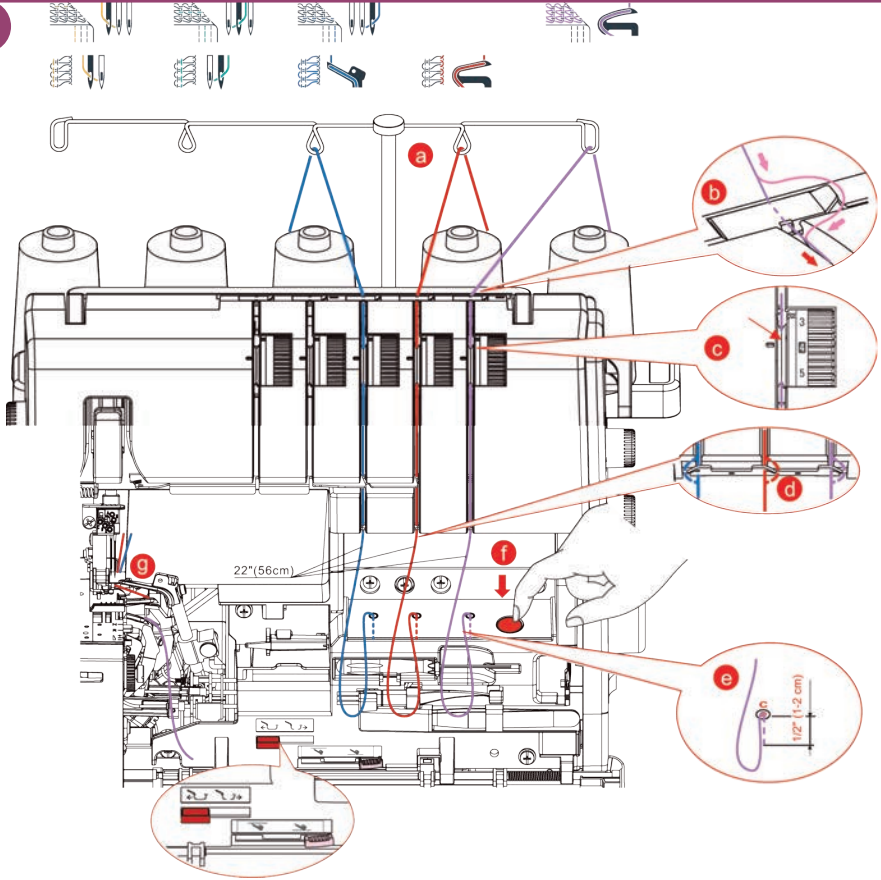


Threading the looper threads

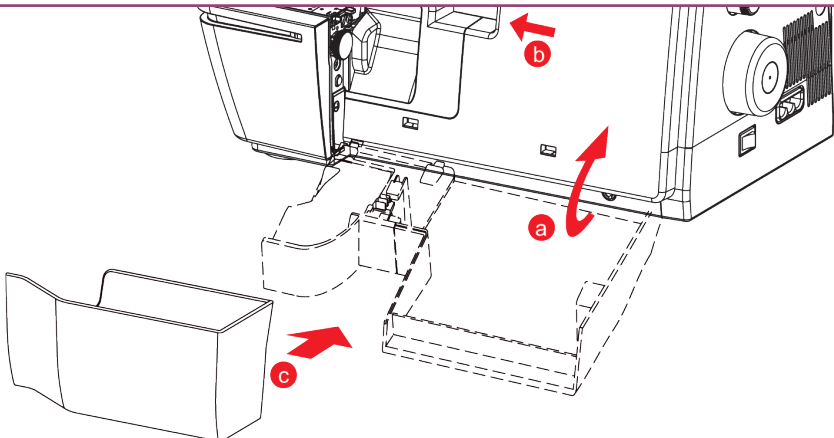




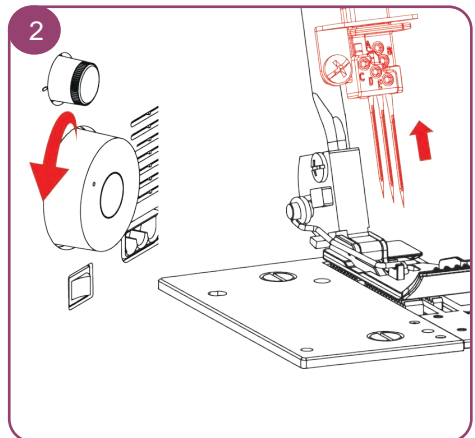
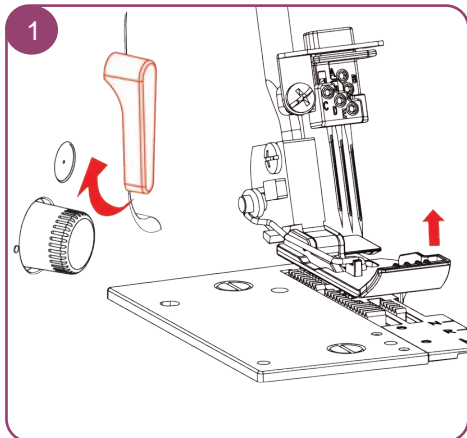
5

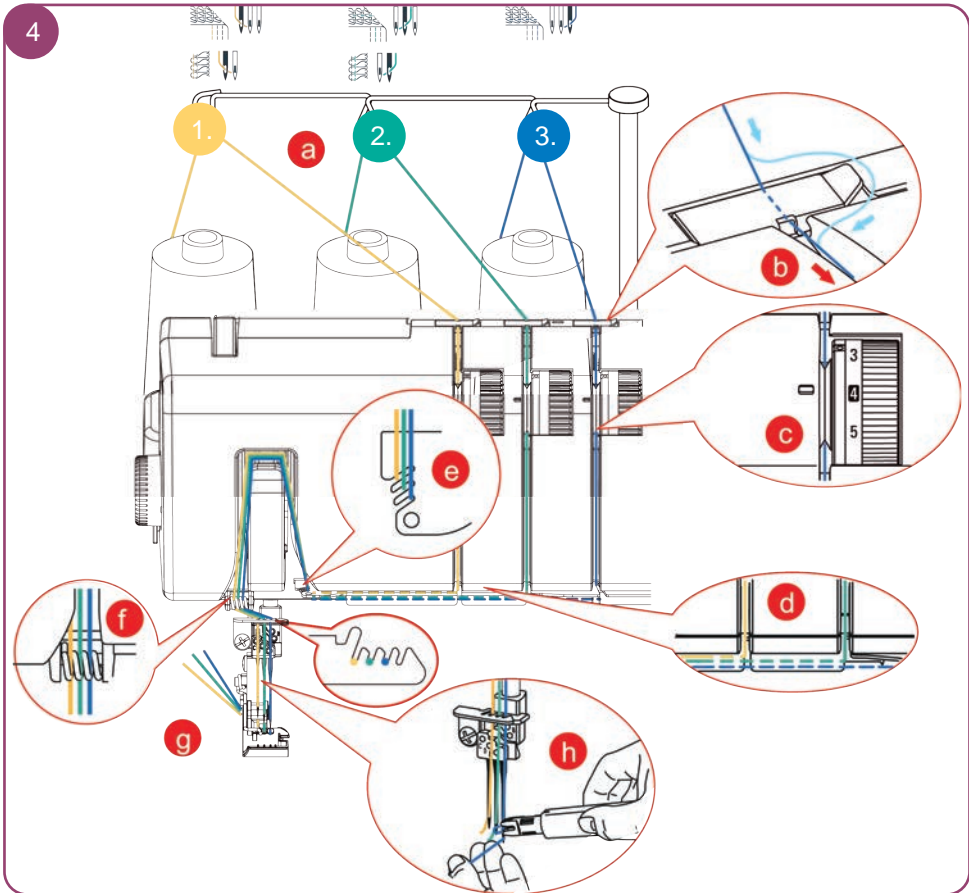
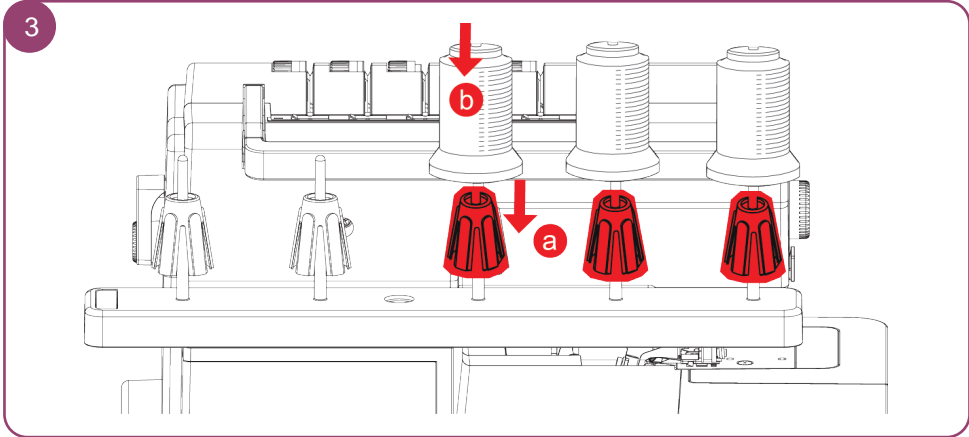


6



Threading the needle thread

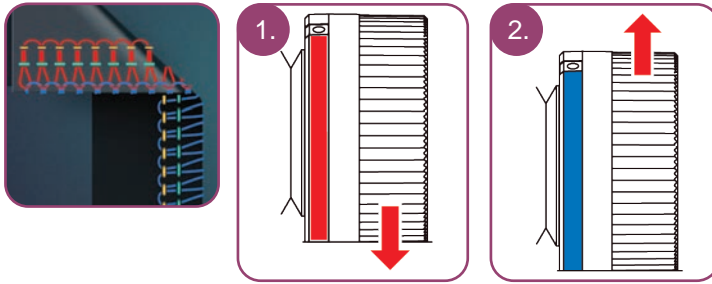




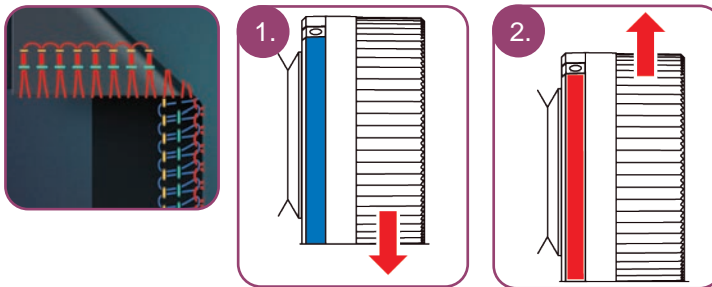
Adjusting the thread tensions

Overlock stitches

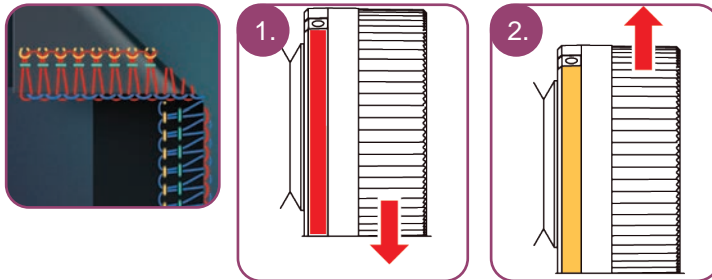
Looper threads (red/blue) connect on the bottom side of fabric.



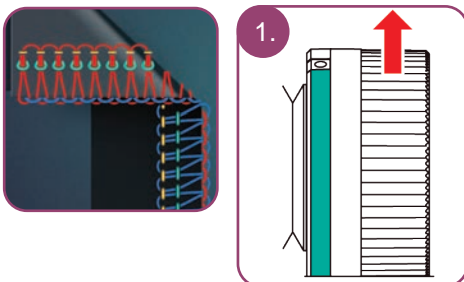
Looper threads (red/blue) connect on the top side of fabric.



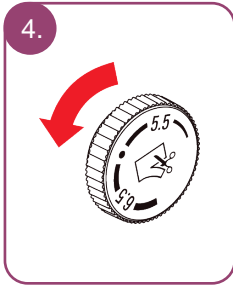
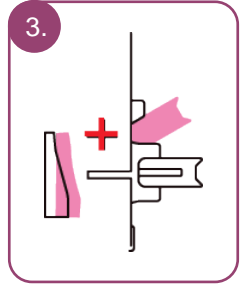
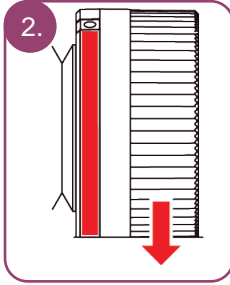
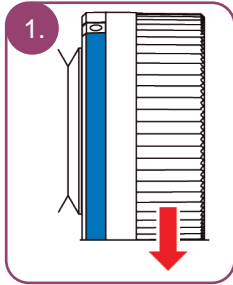
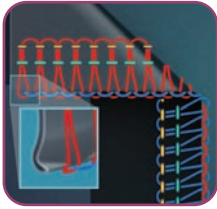
Needle thread (yellow) creates loops on bottom side of the fabric.



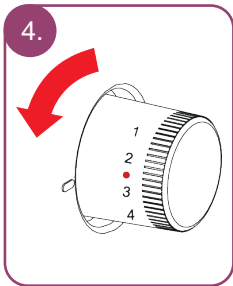
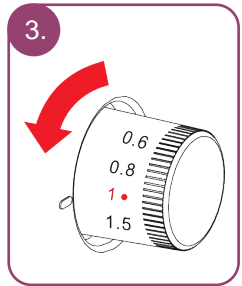
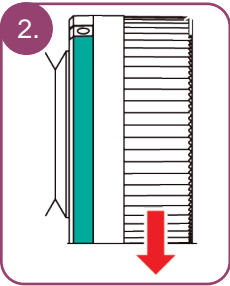
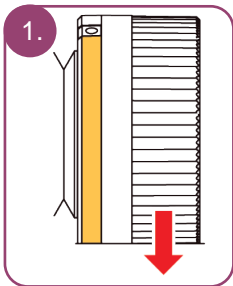
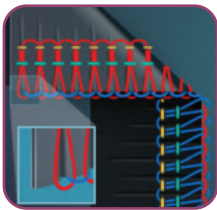
Needle thread (green) creates loops on bottom side of the fabric.



The fabric edge forms a tunnel or curls.

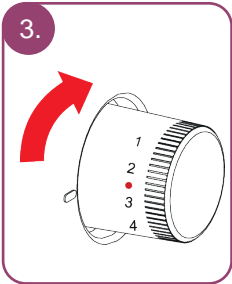
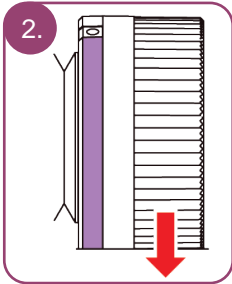
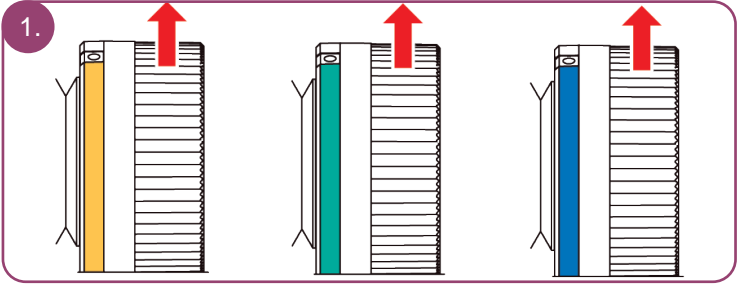
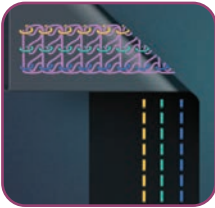


The seam puckers.

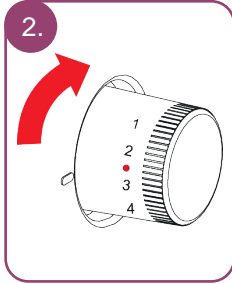
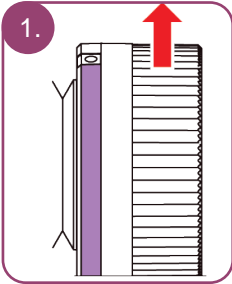
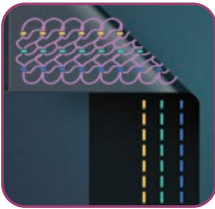


Cover stitches

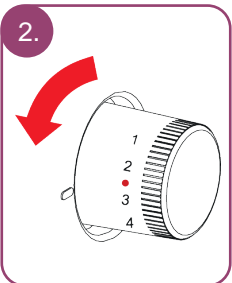
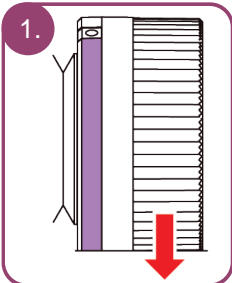
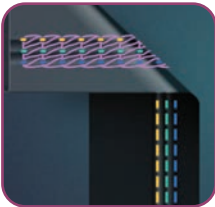
Needle thread (yellow, green or blue) creates loops on bottom side of the fabric.



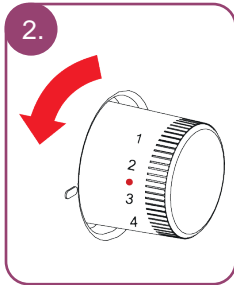
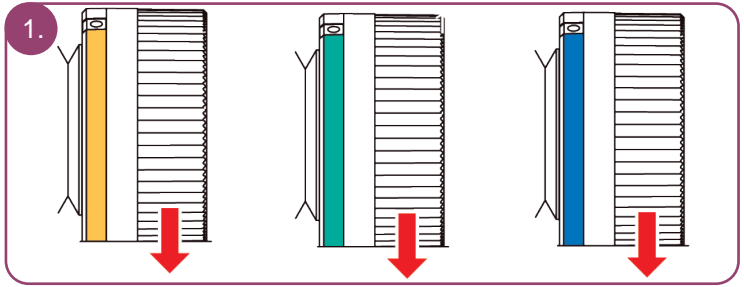
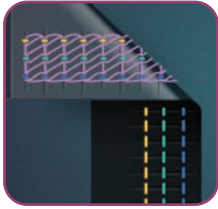
Chain looper (purple) thread loose on the bottom side of fabric.



Chain looper (purple) thread too tense, seam is tunneling.

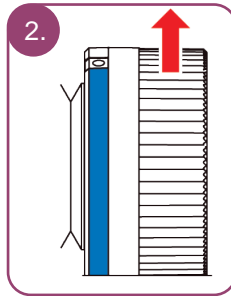
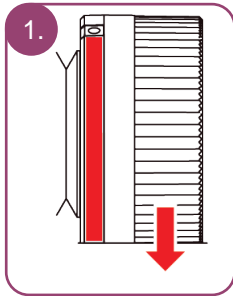
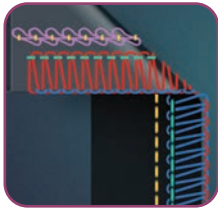


The seam puckers. Needle threads (yellow, green or blue) too tense.

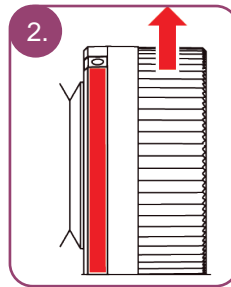
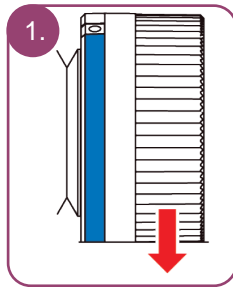
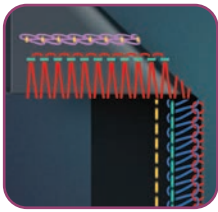


Combo stitches

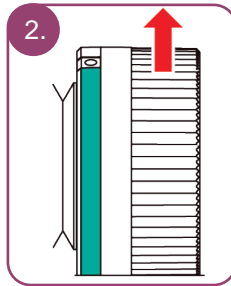
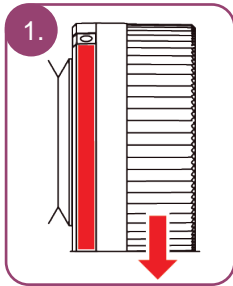
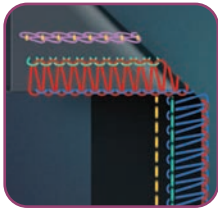
Looper threads (red/blue) connect on the bottom side of fabric.



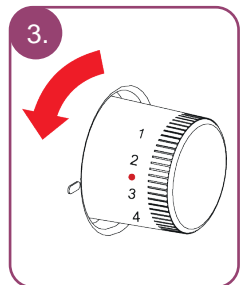
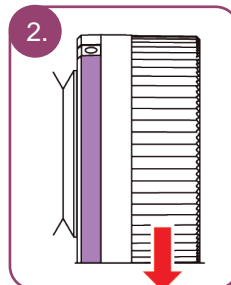
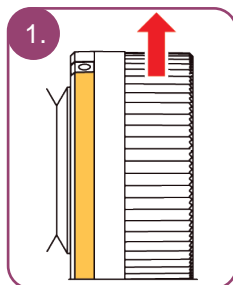
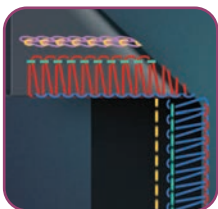
Looper threads (red/blue) connect on the top side of fabric.



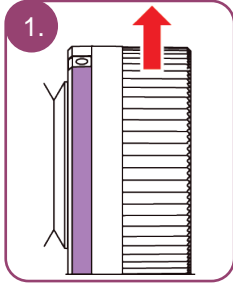
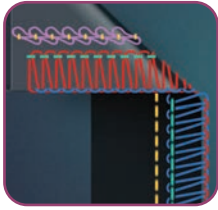
Needle thread (green) creates loops on bottom side of the fabric.



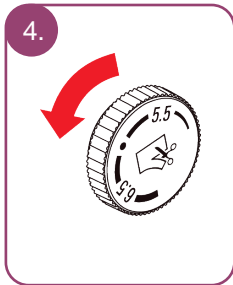
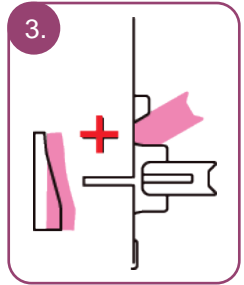
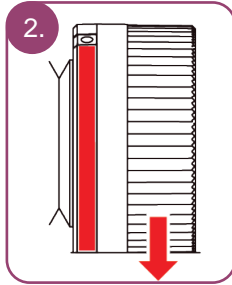
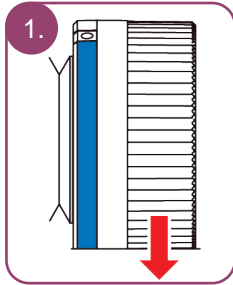
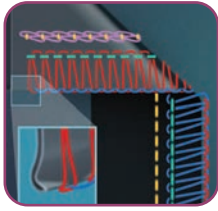
Chainstitch needle thread (yellow) creates loops on the bottom side of the fabric.



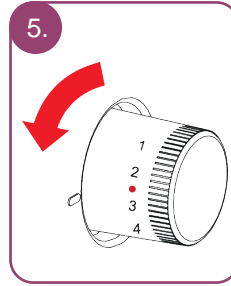
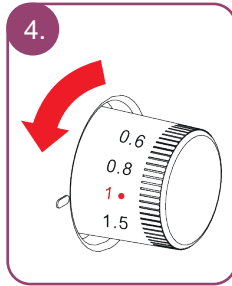
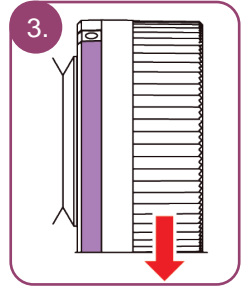
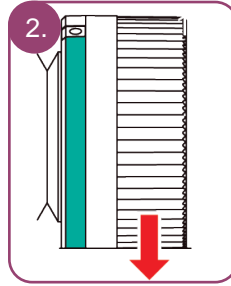
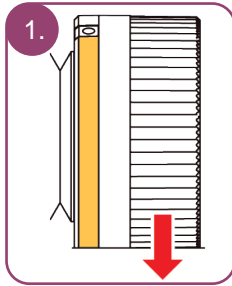
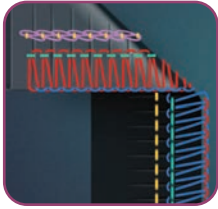
Chain looper (purple) thread loose on the bottom side of fabric.



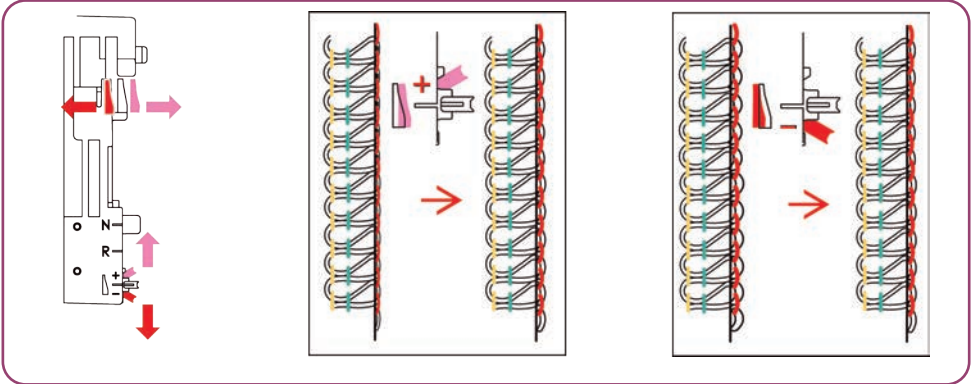
The fabric edge forms a tunnel or curls.



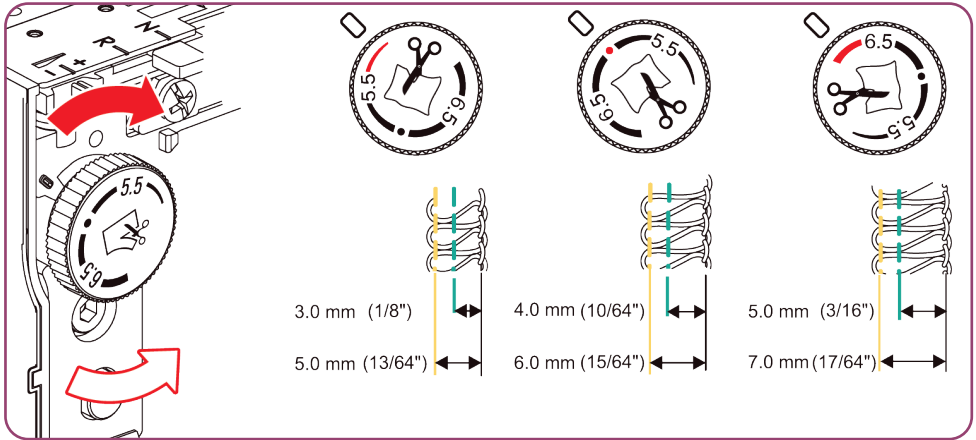
The seam puckers.



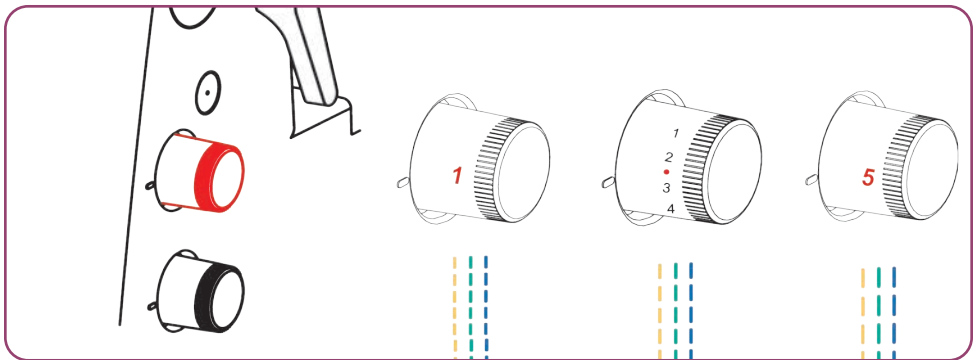
Setting the mtc micro thread control



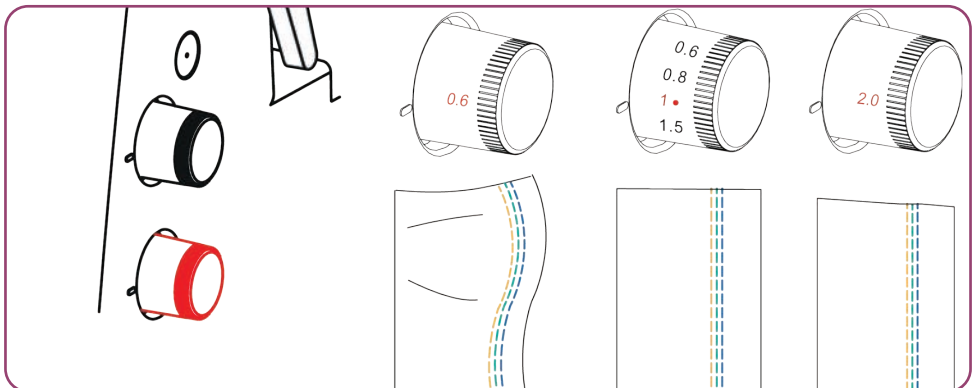
Setting the Cutting Width



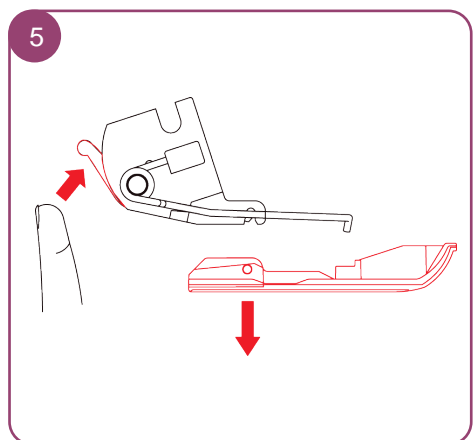
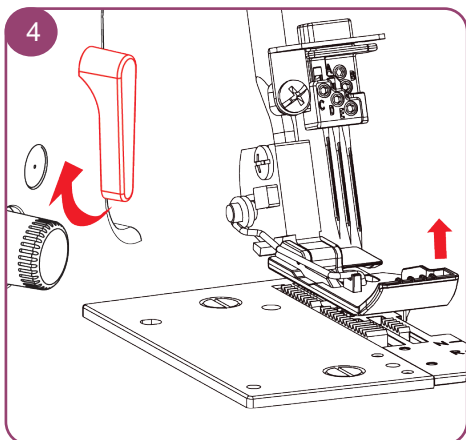
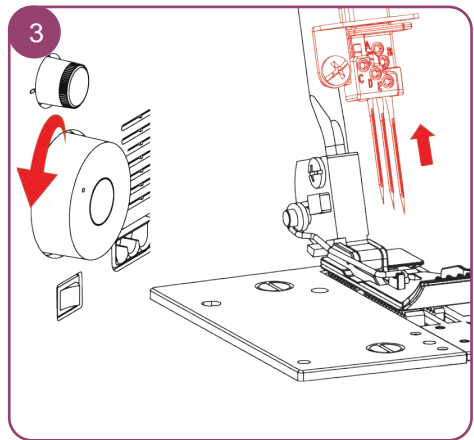
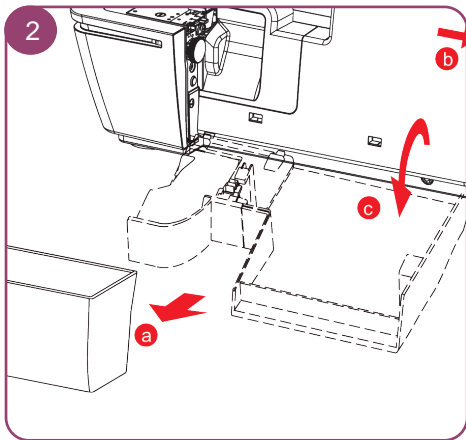
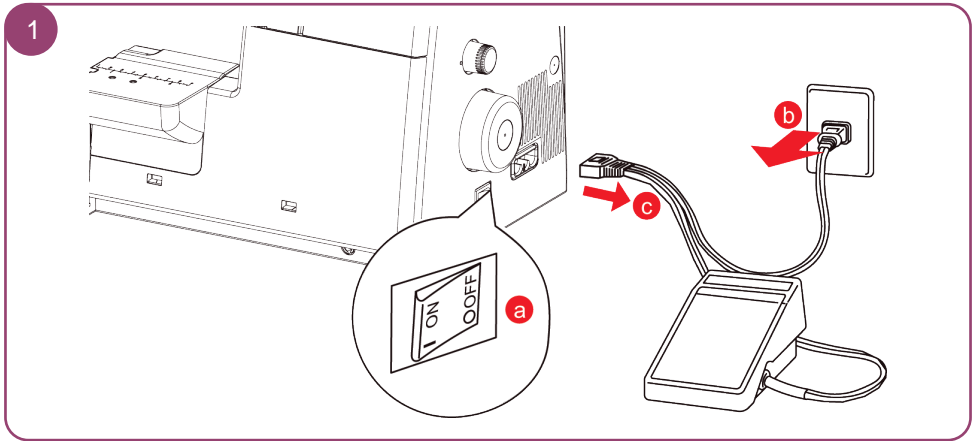
Setting the Stitch Length

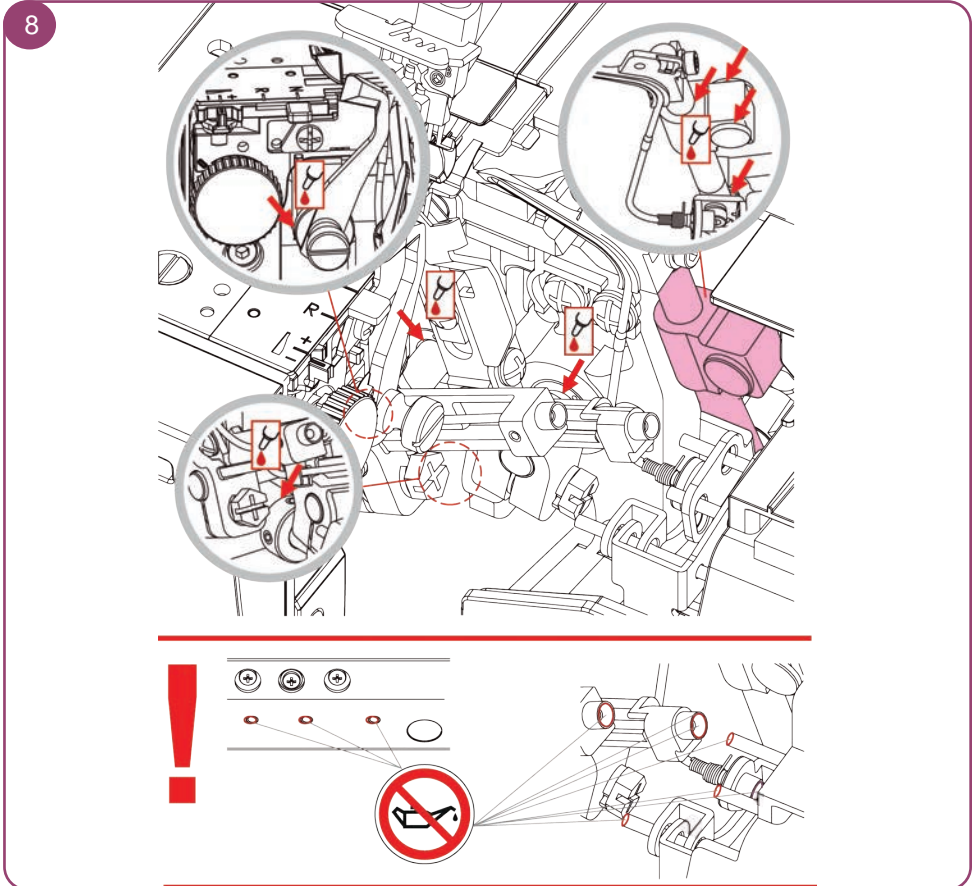
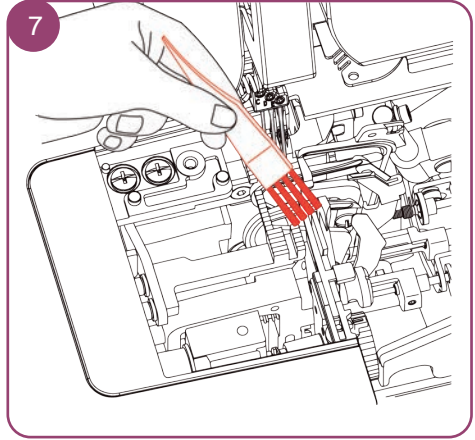
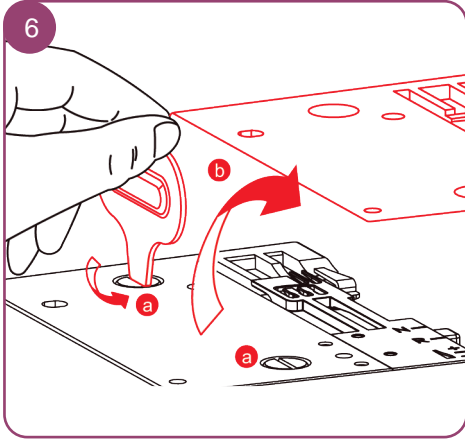


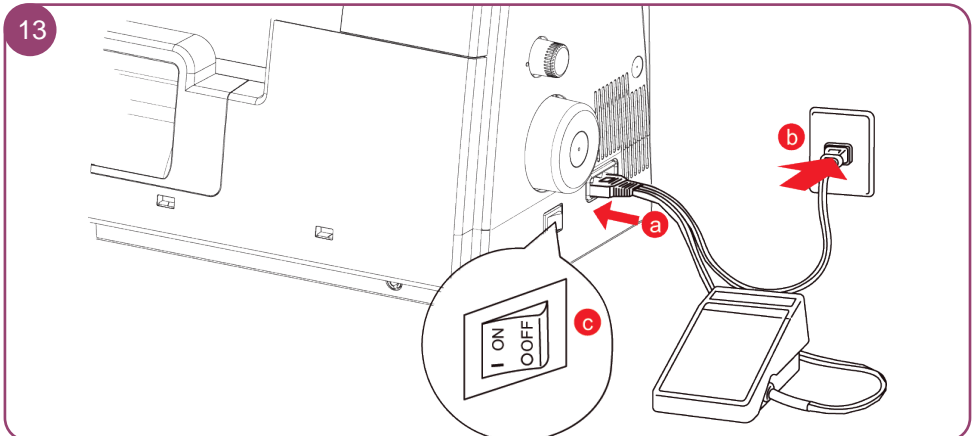
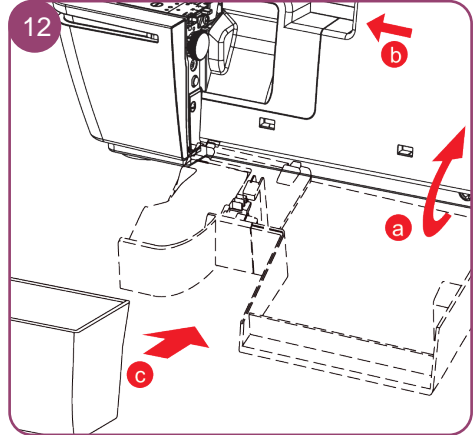
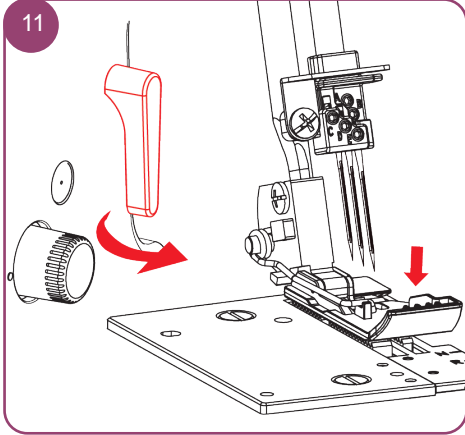
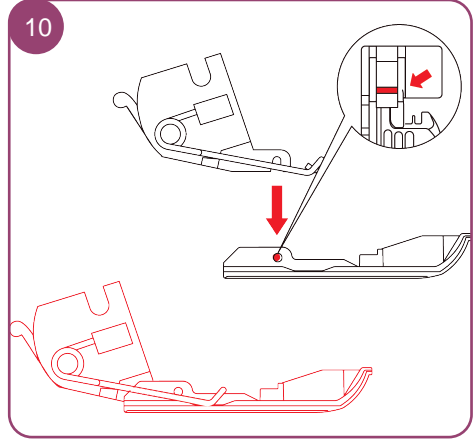
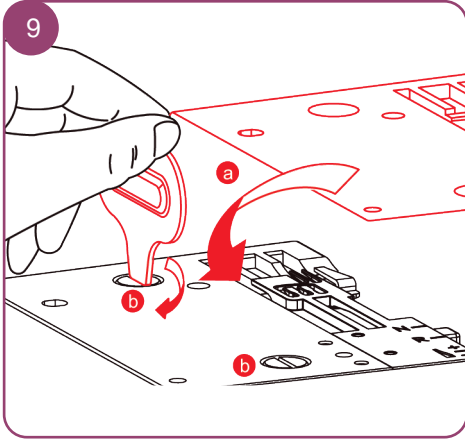
Adjusting the Differential Feed



Cleaning and maintenance







Trouble Shooting

Fault	Remedy
Fabric does not feed well.	<ol style="list-style-type: none"> 1 Lengthen the stitch length. 2 Increase presser foot pressure for heavy weight fabric. 3 Decrease the Presser Foot Pressure for lightweight fabrics.
Needle breaks	<ol style="list-style-type: none"> 1 Insert the needle correctly. 2 Do not pull the fabric while sewing. 3 Tighten the Needle Set Screw. 4 Use a larger needle on heavyweight fabrics.
Thread breaks.	<ol style="list-style-type: none"> 1 Check the threading path. 2 Check for tangled or caught thread. 3 Insert the needle correctly. 4 Insert a new needle; inserted needles may be bent or have a blunt point. 5 Use high quality thread. 6 Loosen the Thread Tension.
Stitch skip.	<ol style="list-style-type: none"> 1 Insert a new needle; the inserted needles may be bent or have a blunt point. Use only ELx705 overlock needles. 2 Tighten the Needle Set Screw. 3 Insert the needles correctly. 4 Change the type or size of the needles. 5 Check the threading path. 6 Increase the Presser Foot Pressure. 7 Use high quality thread.
Irregular stitches.	<ol style="list-style-type: none"> 1 Balance the Thread Tension. 2 Check for tangled or caught thread. 3 Check the threading path.
Fabric puckers.	<ol style="list-style-type: none"> 1 Loosen the Thread Tension. 2 Check for tangled or caught thread. 3 Use high quality light weight thread. 4 Shorten the stitch length. 5 Decrease the Presser Foot Pressure for lightweight fabrics.
Irregular trimming.	<ol style="list-style-type: none"> 1 Check the alignment of the Knives. 2 Replace one or both Knives.
Fabric jams.	<ol style="list-style-type: none"> 1 Close the looper cover. 2 Check for tangled or caught thread. 3 Compress/Baste thick layers of fabric with a conventional machine before sewing with the Overlocker.
Machine does not operate.	<ol style="list-style-type: none"> 1 Connect machine to power source and switch it on. 2 Close the looper cover.

For complete instructions, you can link to the online user manual or how to videos www.bernette.com/b68AIRLOCK or scan the QR-Code with your smart phone.

