

# HORN

of AMERICA  
FINE SEWING FURNITURE



## 2023 CATALOG



## Choosing the Right Sewing Cabinet:

Choosing the right sewing cabinet for your needs can be challenging and fun! Perhaps you've just purchased a new machine or you would simply like to retire the kitchen table as your workspace. Either way, getting organized with a Horn of America sewing cabinet will facilitate your comfort and creativity.

Because you take sewing and quilting seriously, you have probably wondered:

"Do I have room for a sewing cabinet?"

"Will I actually use a sewing cabinet?"

We know that your sewing needs are unique and we have found that many sewists will sew more and exercise their creativity in new ways if their sewing materials are in one dedicated location. Sew more, sew longer, sew in comfort - all in your dedicated creative space!

## How To Choose The Right Cabinet For You:

- 1) How much space in your sewing room do you have to dedicate to a sewing cabinet? Sewing cabinets come in all shapes and sizes, and there is sure to be one that fits your needs.
- 2) What size is your machine? Cabinets offer assorted size openings, lift types, and weight capacities to accommodate different machines.
- 3) Do you need a cabinet that accommodates more than one machine, such as a serger?
- 4) Does the cabinet have a lift mechanism so you can switch from free arm to flat bed sewing and a third storage position?
- 5) Do you want a cabinet that completely closes when not in use to conserve space, or will you leave it open?
- 6) How much storage would you like? Do you plan to store your thread, sewing tools, and fabric in your cabinet?
- 7) Do you often make larger projects like quilts? A drop leaf extension would provide a larger work surface and reduce the amount your quilt hangs over the edge and pulls at your needle.

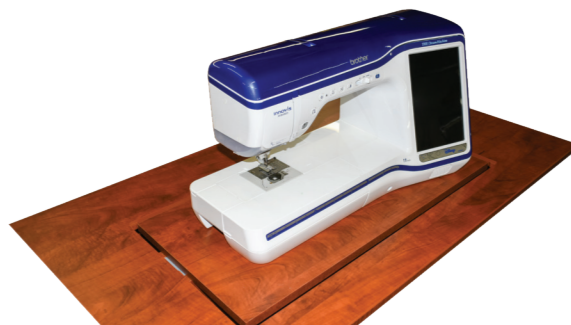
# The Most Important Addition To Your Sewing Cabinet Is The Machine Insert.

Complete your cabinet with a Horn of America custom insert. Made of heavy duty acrylic, each insert is designed to fit the make and model of your machine and cabinet eliminating the cut-out space that normally exists between your machine and cabinet. Eliminating this space allows your fabric to flow smoothly across the work surface. You can sew more comfortably and efficiently with an ergonomic work surface. Finish your cabinet with a Horn of America custom insert and you'll enjoy sewing with less wrist fatigue.

Flatbed with Insert



Freearm



## Horn furniture includes many standard features:

- Melamine mar-resistant and water-resistant surface, to give you years of use.
- 6 outlet power strip, so you have one place to plug in your machines, iron, lights, and devices.
- Easy Roll lockable casters so you can position your Horn cabinet where you want it.
- **Whisper Quiet electric lift** that allows you to position your machine in free arm, flatbed, or storage position by pressing a button. Our Whisper Quiet Electric lift is designed to hold large heavy machines up to the **weight limit of 80 Lbs.**
- Hinged drop leaves, swing-up tables, and drawer extension panels give you an expandable work surface (varies by model). These features allow for a very versatile multipurpose cabinet to cut, piece, or add a second sewing machine.
- Soft rounded banded edges that will not snag delicate fabric as you sew.
- **Horn Cabinets come completely assembled**, add the casters, position, and sew.
- Custom inserts are available for all models (Sold Separately).
- **All Horn sewing cabinets are manufactured in the USA in our factory in Sutton, West Virginia . We support American jobs and independent retailers across the country.**
- **All Horn cabinets and tables are protected by a limited lifetime warranty.**

## Model 9100 New Heights



Model 910EXT includes:  
15" x 25 3/4" angled drawer extension  
sold separately

### Description

Our Model 9100 gives you the capability to sit or stand while sewing and a huge work surface for cutting, piecing or embroidery. The Model 9100 also features an innovative Magic Corner filler panel, so you never have to worry about your fabric falling "down the hole." The Model 9100 is the perfect all-purpose creative sewing table.

(Cutting mat sold separately)  
(Model 910EXT sold separately)

### Features

- The 9100 can be adjusted between a sitting position of 29" to a standing position of 40" with the touch of a button. With three customizable memory settings, you can be ready to cut, sew, or embroider in seconds.
- The 9100 features the Whisper Quiet electric lift that lets you put your machine in the flat bed, free arm, or storage position with the press of a button.
- Need to cut large pieces of fabric? No problem with the 9100! Just lower your machine to the storage position, replace the filler panel, and you have a large 73" x 36" surface to work on (60" x 36" cutting mat sold separately).
- One of the incredibly unique features of the 9100 is the **Magic Corner** filler panel that fills the space between the left and back drop leaves. You never have to worry about your fabric falling down the gap while you are sewing.
- The 9100 is also designed with an extra wide cut-out (31") to hold today's larger machines.



White Sunrise Maple Sunset Maple Gray

Dimensions	Open	Closed
Width	72 1/2"	60"
Depth	36"	26"
Height	29"- 40"	29"- 40"
Cut-out	31" x 15 1/2"	
Weight	260 lbs	

## Model 9000 New Heights



Model 900EXT includes:  
 12 1/2" x 36" left side drop leaf  
 15" x 25 3/4" angled drawer extension  
 sold separately

### Description

Our Model 9000 gives you the capability to sit or stand while sewing, cutting, or crafting. The addition of the 900EXT left side drop leaf and drawer extension gives you an expandable work surface so you have a great place to create.

(Cutting mat sold separately)  
 (Model 900EXT sold separately)

### Features

- The 9000 can be adjusted between a sitting position of 29" to a standing position of 40" with the touch of a button. With three customizable memory settings, you can be ready to cut, sew, or embroider in seconds.
- The 9000 features the Whisper Quiet electric lift that lets you put your machine in the flat bed, free arm, or storage position with the press of a button.
- The Model 9000 offers a huge work surface. When you need to cut, trim, or piece simply lower the machine into the storage position, add the filler panel, and you have a 60"x 36" cutting surface.
- The 9000 is also designed with an extra wide cut-out (31") to hold today's larger machines.
- **The included left drawer extension adds a 16 3/8" W x 17" D work surface.**



Dimensions	Open	Closed
Width	60"	60"
Depth	36"	36"
Height	29"- 40"	29"- 40"
Cut-out	31" x 15 1/2"	
Weight	272 lbs	



Rear storage with one adjustable self included

## Model 8479



### Description

The Model 8479 is a tall sewing cabinet that is designed to provide a comfortable and ergonomic sewing experience for taller individuals. At 36 1/2 inches tall, this cabinet is perfect for those who want to achieve the ideal sewing position and enjoy maximum comfort while working on their projects.

The Model 8479 sewing cabinet features a swing-up side platform and swing-up table for additional workspace, a second sewing machine or serger (45 Lbs limit), cutting mat, or pressing mat. The removable foot control platform allows you to adjust the height of your foot pedal for maximum comfort.



Dimensions	Open	Closed
Width	78"	63 1/4"
Depth	64 1/4"	27"
Height	36 1/2"	
Cut-out	31" x 15 1/2"	
Weight	375 lbs	

### Features

- Swing-up table for additional workspace that is easy to access and out of the way.
- Easy to access pull-out that keeps up to 132 spools of thread at hand.
- Embroidery Module and hoop storage that can be converted into adjustable shelves for storage.
- Cabinet depth of 26" for more knee room and 36 1/2" height so you can stand or sit in a drafting chair comfortably.
- Extra wide machine cut out that fits most new machines like the Solaris, Luminaire, BERNINA 880, and Janome M17.
- The 36 1/2" height allows this cabinet to store the VIKING DESIGNER EPIC embroidery module.
- The left drawer extension adds an extra 18 3/8" W x 17 D" work surface.
- Four soft-closing drawers

## Model 8090



### Description

The Model 8090 sewing cabinet is a versatile and complete sewing center that provides a convenient and expandable work surface to easily access all of your sewing tools and materials.

The swing-up table is large enough to accommodate a serger or sewing machine (45 Lbs limit), pressing mat, or cutting mat, allowing you to have everything you need in one central location for easy and efficient sewing. This cabinet is designed to provide years of sewing pleasure.



Dimensions	Open	Closed
Width	78"	63 1/4"
Depth	64 1/4"	27"
Height	29 3/4"	
Cut-out	31" x 15 1/2"	
Weight	301 lbs	

### Features

- Swing-up table for additional workspace that is easy to access and out of the way.
- Easy to access pull-out that keeps up to 132 spools of thread at hand.
- Embroidery Module and hoop storage that can be converted into adjustable shelves for storage.
- Cabinet depth of 26" for more knee room and an easier fit with larger embroidery machines.
- Extra wide machine cut out that fits most new machines like the Solaris, Luminaire, BERNINA 880, and Janome M17.
- The left drawer extension adds an extra 18 3/8" W x 17" D work surface.
- Three soft-closing drawers

## Model 8080



### Description

The Model 8080 sewing center is an ideal choice for smaller spaces, with its compact design and space-saving features. The expandable work surface provides ample room for large projects. The three drawers and two shelves provide storage for all your sewing essentials and keeps everything in one convenient location. This compact design allows for more placement options in your sewing space.



Dimensions	Open	Closed
Width	63 1/4"	63 1/4"
Depth	40"	27"
Height	29 3/4"	
Cut-out	31" x 15 1/2"	
Weight	262 lbs	

### Features

- Easy to access pull-out that keeps up to 132 spools of thread at hand.
- Embroidery Module and hoop storage that can be converted into adjustable shelves for storage.
- Cabinet depth of 26" for more knee room and an easier fit with larger embroidery machines.
- Extra wide machine cut out that fits most new machines like the Solaris, Luminaire, BERNINA 880, and Janome M17.
- The left drawer extension adds an extra 18 3/8" W x 17 D" work surface.
- Three soft-closing drawers





## Model 8050



### Description

If you have limited space but need a cabinet that can accommodate larger sewing machines, the Model 8050 is the ideal solution.

This compact sewing center offers thread storage, storage for an embroidery module, and a bifold door for easy closure, making it a great option for those who need a cabinet to fit the newer larger machines.



White      Sunrise Maple      Sunset Maple      Gray

Dimensions	Open	Closed
Width	64 1/4"	53"
Depth	40"	27"
Height	29 3/4"	
Cut-out	31" x 15 1/2"	
Weight	231 lbs	

### Features

- Swing-up table for additional workspace that is easy to access and out of the way.
- Easy to access pull-out that keeps up to 132 spools of thread at hand.
- Embroidery Module and hoop storage that can be converted into adjustable shelves for storage.
- Cabinet depth of 26" for more knee room and an easier fit with larger embroidery machines.
- Extra wide machine cut out that fits most new machines like the Solaris, Luminaire, and 880 BERNINA.



## Model 8030



### Description

The Model 8030 is the most space-efficient cabinet for newer, larger sewing machines. It includes storage for hoops and an embroidery module, a left-side swing-up extension, and a drop-leaf to provide a large workspace. With a depth of 26 inches, this compact cabinet offers ample knee room for added comfort while sewing.



Dimensions	Open	Closed
Width	64 1/4"	53"
Depth	40"	27"
Height	29 3/4"	
Cut-out	31" x 15 1/2"	
Weight	193 lbs	

### Features

- Swing-up table for additional workspace that is easy to access and out of the way.
- Easy to access pull-out to store embroidery hoops.
- Embroidery Module and hoop storage that can be converted into adjustable shelves for storage.
- Cabinet depth of 26" for more knee room and an easier fit with larger embroidery machines.
- Extra wide machine cut out that fits most new machines like the Solaris, Luminaire, and 880 BERNINA.

## Model 5400



### Description

If you're searching for a great compact sewing cabinet, the Model 5400 is an excellent option. This cabinet features four drawers and a 25 x 13 cut-out that can accommodate most mid-size sewing machines. The bifold doors allow you to close the cabinet when not in use, making it an ideal choice for those looking for a space-saving solution.



White



Sunset Maple

Dimensions	Open	Closed
Width	48"	48"
Depth	39 1/2"	20 1/2"
Height	29 3/4"	
Cut-out	25" x 13"	
Weight	193 lbs	



### Features

- The 25" x 13" opening to fits most medium sized sewing machines.
- Weighing in at 193 lbs, the 5400 is lighter than most cabinets allowing it to easily be rolled away from a wall to setup the drop leaf.
- When the machine is stored, the drop leaf is down, and the door is closed, the 5400 transforms into a console table.

## Model 8280



### Description

The updated Model 8280, continues the tradition of the popular “Quilter’s Dream” cabinet, with a 31” x 15 1/2” opening that can accommodate today’s larger quilting machines. It includes a large drawer extension, a 14” drop-leaf, and a right-side swing-up extension, providing ample space for even the largest quilting projects.



White



Gray

Dimensions	Open	Closed
Width	74 5/8”	60”
Depth	56”	27”
Height	29 3/4”	
Cut-out	31” x 15 1/2”	
Weight	204 lbs	

### Features

- The 31” x 15 1/2” opening to fit today’s large quilting machines like the Solaris, Luminaire, 880 BERNINA, and Janome M17
- The new design added more width and depth to increase your leg room giving you a more comfortable sewing cabinet.
- The large drawer extension gives you room to move your project to the left away from the needle while you sew (25 1/8” W x 16” D).
- The right side swing-up platform offers space for tools and notions.

### Model 51 Caddie

Sold Separately



## Model 5280

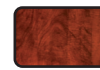


### Description

The “Quilter’s Dream” cabinet design by Horn of America has been the benchmark for quilting cabinets and is highly valued and used by thousands of quilters. It features a large drawer extension, expansive drop-leaf, and a right-side swing-up platform, providing ample space for large quilting projects.



White



Sunset Maple

Dimensions	Open	Closed
Width	72"	60"
Depth	57"	20 1/2"
Height	29 3/4"	
Cut-out	25" x 13"	
Weight	204 lbs	

## Model 51 Caddie

Sold Separately



### Features

- The 25" x 13" opening to fits most medium sized sewing machines.
- The Quilter’s Dream design increases your leg room, giving you a more comfortable sewing cabinet and room to get in front of the needle.
- The large drawer extension gives you room to move your project to the left away from the needle while you sew (29 1/4 W x 16 D)
- The right side swing-up platform offers space for tools and notions.

## Model 3240



### Description

The Model 3240 Medium Quilters Dream is a great option for those with smaller spaces and medium-sized machines. The heavy-duty airlift has three adjustable height settings and can support up to a 40 lbs machine.

The large drop-leaf provides ample space for large projects, while the drawer offers convenient storage for notions, bobbins, and tools.

When paired with the Model 01 caddie, this cabinet offers ample storage space and an additional work surface.



White

Dimensions	Open	Closed
Width	47 1/2"	47 1/2"
Depth	39"	19 1/2"
Height	29 3/4"	
Cut-out	25" x 13"	
Weight	142 lbs	

### Model 01 Caddie

Sold Separately



### Features

- 25" x 13" machine cutout for medium sized machine
- Heavy-Duty airlift with lock rated to hold up to 40 lbs.
- Open front for easy bobbin and knee lever access
- 1 shallow drawer on nylon rollers
- Hinged drop leaf with support and locking casters
- Storage area on the right side for the insert and filler panel
- Locking support for the mounting platform in the free arm position
- Completely assembled, just install the casters and drawer pull

## Model 7600



### Description

The Model 7600 Deluxe Storage Chest is the perfect piece for the sewist or embroiderer who can appreciate the convenience of an all-in-one storage and work center. Model 7600 storage chest includes a large rear drop leaf that turns the top surface into an expansive work station suitable for any cutting, sewing or quilting project. (Cutting mat sold separately)

The addition of the included rear shelf turns the 7600 into a storage island.



Dimensions	Open	Closed
Width	60"	60"
Depth	40"	21"
Height	35"	
Cut-out		
Weight	308 lbs	

### Features

- 7 adjustable shelves
- 7 drawers on nylon rollers
- 2 bifold swing away doors
- Pull-out thread storage system





### Model 2211



White



Sunset Maple



Model 2211 offers a 72" x 40" cutting surface when opened. There are two drawers to store cutting tools and space underneath to keep bolts of fabric. (fully assembled)

(Cutting mat sold separately)

Dimensions:

Open: 72" Width x 40" Depth x 35" Height

Closed: 17" Width x 40" Depth x 35" Height

Weight: 137 lbs.



### Model 90



White



Sunrise Maple



Sunset Maple



Gray

Model 90 Caddie has a 27" depth to store most embroidery modules currently available. The 90 includes three drawers, three adjustable shelves, and thread storage that can be removed and used as hoop storage.

Dimensions:

Open: 40" Width x 27" Depth x 29-3/4" Height

Closed: 40" Width x 27" Depth x 29-3/4" Height

Weight: 205 lbs



### Model A680



White



Sunrise Maple



Sunset Maple

Model A680 is a multiuse cutting cabinet offering storage and work space. It's built specifically for fabric cutters and features two drop leaves for plenty of work space, shelves for storage, and dividers for organizing dies.

(Cutting mat sold separately)

Dimensions:

Open: 68" Width x 27" Depth x 37-1/4" Height

Closed: 32-1/2" Width x 27" Depth x 37-1/4" Height

Weight: 142 lbs.



### Model 51



White



Sunset Maple



Gray

Designed as the companion caddie to the Quilter's Dream series, the 51 caddie is also a great standalone piece. The Model 51 has four drawers for storing everything from thread and bobbins to sewing machine components, and everything in between.

Dimensions: 22" Width x 17-3/4" Depth x 24-1/4" Height

Weight: 75 lbs.



## 6-Way Adjustable Chair



Horn sewing chairs are 6-way adjustable which includes pneumatic height adjustment, backrest height and angle adjustment, and seat pan angle. You can sit perfectly in front of any standard height sewing cabinet in ergonomic comfort!

Height adjustment from 20 to 23"  
400 lb weight limit



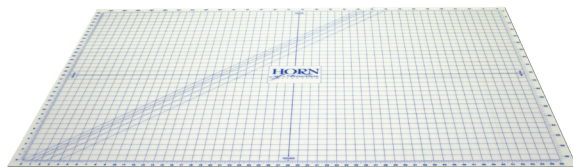
Seat Height Adjustment

Seat Base Angle Adjustment

Seat Back Adjustment

Seat Back Height Adjustment

## Cutting Mats



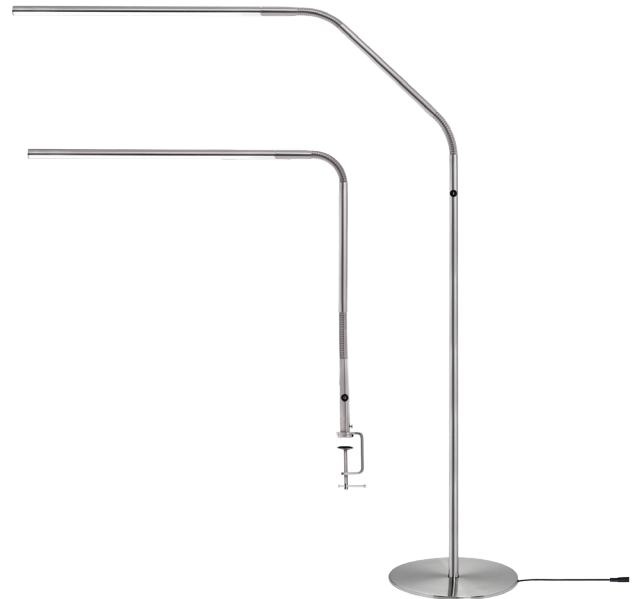
- 27 x 68 Cutting Mat 96040Z.00 (Model A680)
- 36 x 60 Cutting Mat 96030Z.00 (9000 Series)
- 40 x 60 Cutting Mat 96090Z.00 (8000 Series & 7600)
- 40 x 72 Cutting Mat 96050Z.00 (Model 2111)

## Adjustable Drafting Chair



Horn drafting chairs feature a contoured thick padded seat and back with lumbar support, elevated height for use with Model 9100, 9000, 8479, 7600 and 2111 cutting tables.

Height adjustment from 24 to 34"  
250 lb weight limit



## Slimline 3 Table Lamp and Floor Lamp

The third generation of the Daylight Slimline is ideal for seeing intricate work clearly and in detail. The aluminium shade emits a brighter light with a better diffusion. A four step dimmer allows brightness control. The LEDs do not get hot allowing you to work under the light for many hours.

- 4 brightness levels
- 3,000 Lux at 30 cm, 1,065 lumens
- Brushed steel finish

# Top Quality German Scissors

4" Embroidery Scissor  
#904



5" Sewing Scissor  
#905



6" Straight Trimmer  
#906



When it comes to sewing and embroidery, precision is key. To ensure that your cuts are accurate, choose scissors that are built to perform. Horn Scissors are made in Germany and are made from the highest quality steel, ensuring that they will stay sharper for longer periods of time. In the event that the scissors do become dull, they can be sharpened, giving them an extended life. Horn Scissors are a popular choice among customers looking for lightweight, ambidextrous utility scissors.

7" Bent Trimmer  
#907



8" Bent Trimmer  
#908



9" Bent Trimmer  
#919

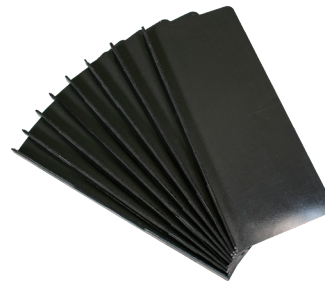


Dressmaker Shears are designed for cutting patterns, trimming seams, and cutting large pieces of fabric. They feature long precision-ground blades that can easily cut through multiple layers of fabric. The bent-handle design allows for a comfortable grip, keeping the fabric flat on the cutting mat for smooth, accurate cutting, minimizing the chances of mistakes.



### Five Piece Quilt Corral

The five piece Quilt Corral is perfect for small and medium sized cabinets and tables.



### Eight Piece Quilt Corral

The eight piece Quilt Corral is perfect for large cabinets and tables.



### Description

The Quilt Corral allows you to place each panel in the desired location, keeping large garments and quilts securely on the table and preventing them from pulling at the needle.

This eliminates the need to keep your table pushed against a wall to keep your projects in place.

With the Quilt Corral, you have the freedom to use your table or cabinet anywhere in your sewing room.

### Features

- Each panel is 12" Long x 6" High
- Made of strong ABS plastic
- Attach and remove easily with Velcro on any Horn cabinet with a 1" over hang, side extension, or drop leaf.
- No tools required!
- Available in black and white



**HORN**  
of AMERICA<sup>®</sup>  
FINE SEWING FURNITURE



### Reasons to Consider Buying Horn of America Cabinets:

- Horn of America is proud of its ability to create high-quality sewing cabinets that are built to last for generations, just like the heirloom quilts that are crafted on them.
- Your sewing cabinet is the focal point of your creative sewing space. With HOA sewing cabinets, you can have a proper environment that keeps your accessories stored in one place and your sewing machine ready for use at the ideal height.
- The 9000 and 8000 series sewing cabinets feature a 31" cutout that can fit most sewing machines currently available in the market.
- By choosing HOA sewing cabinets, you are supporting American-owned and operated small businesses.

## CONTACT US

Horn of America, Inc.  
P.O. Box 608, Sutton, WV 26601  
Phone: 1-800-882-8845  
Fax : 1-304-765-5401  
[www.hornofamerica.com](http://www.hornofamerica.com)

